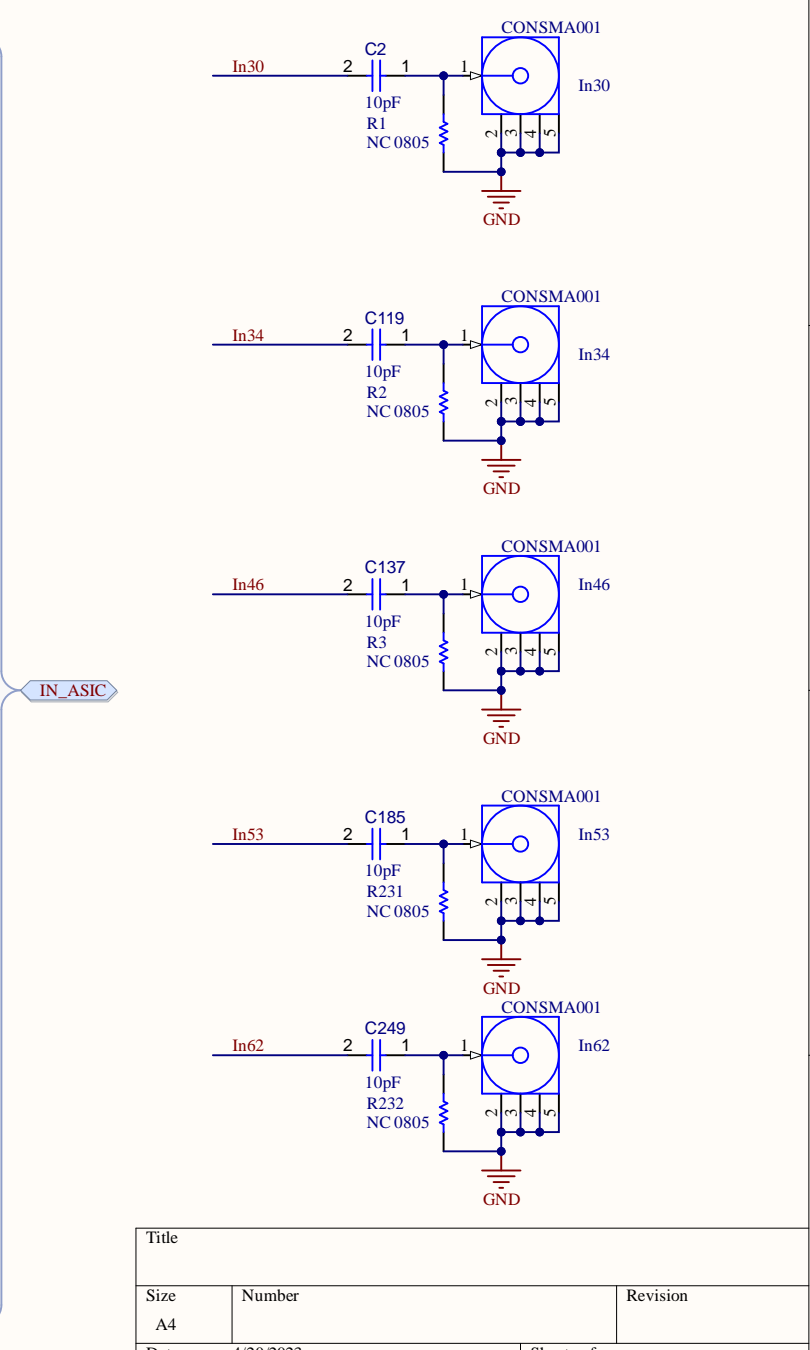
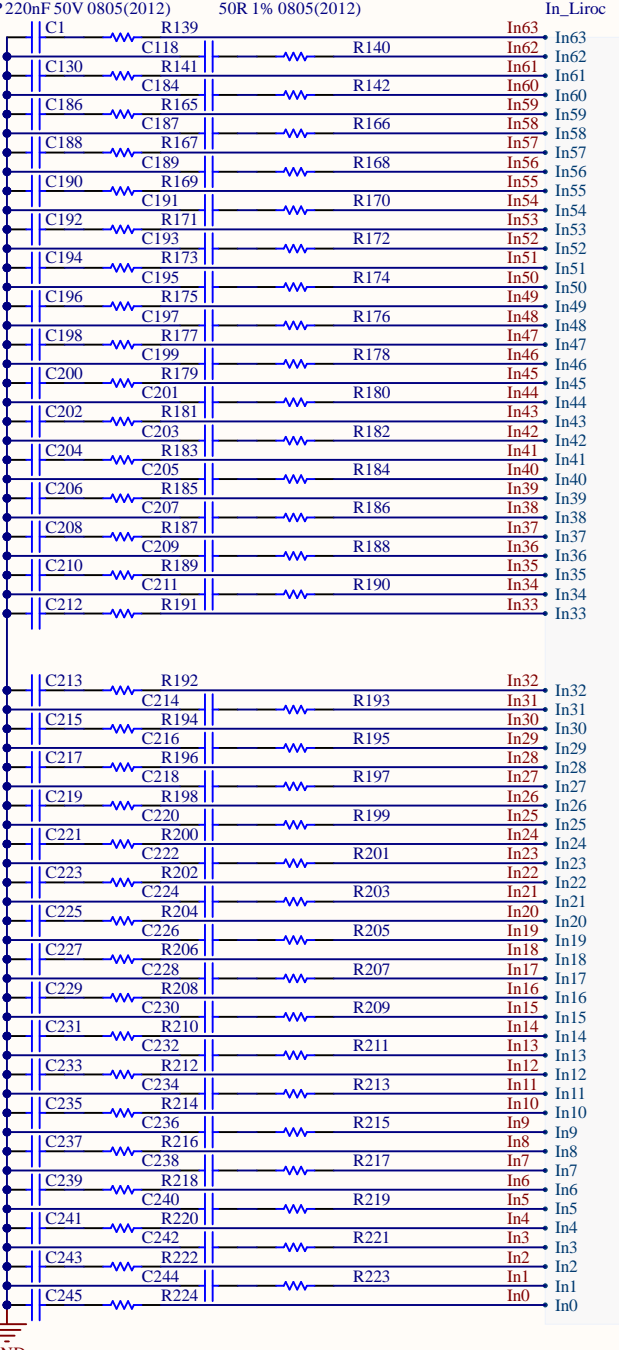
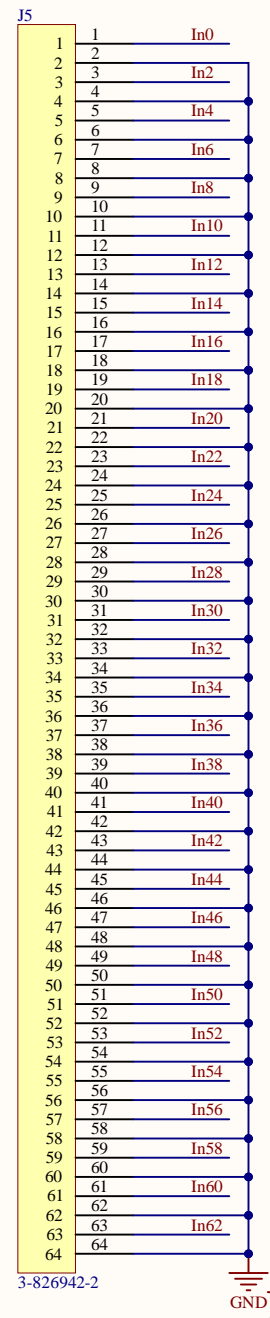
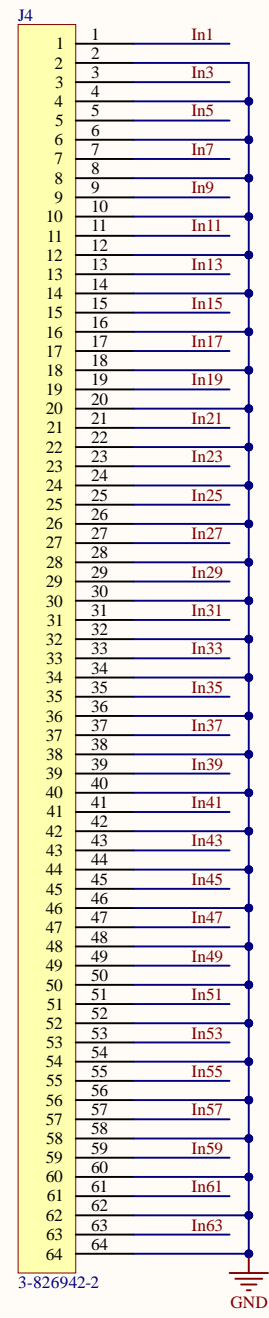
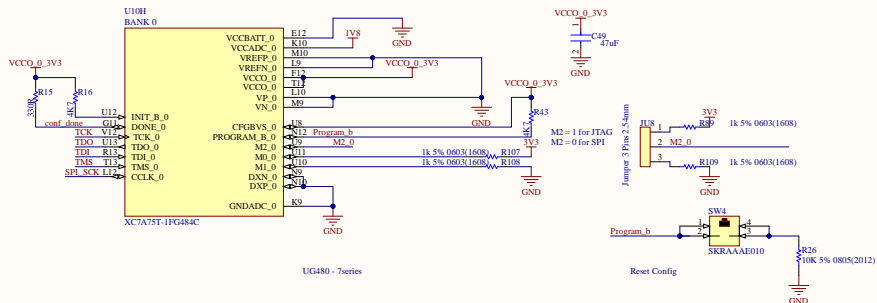
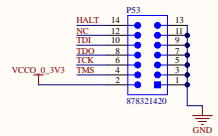


Title		
Size	Number	Revision
A4		
Date:	4/20/2023	Sheet of
File:	D:\Bureau\..\Top Level.SchDoc	Drawn By:

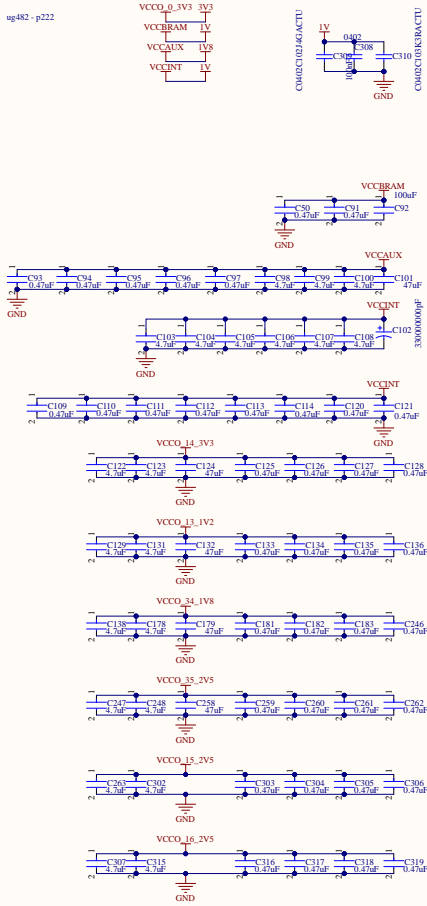
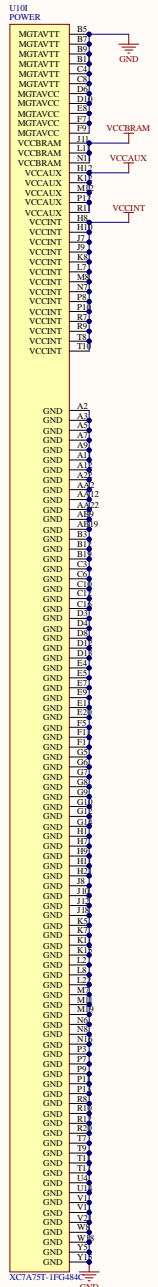
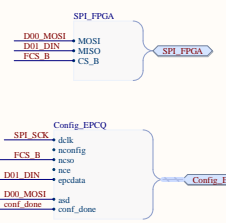
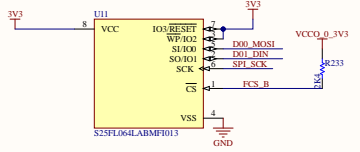
CAP 220nF 50V 0805(2012) 50R 1% 0805(2012) In_Liroc



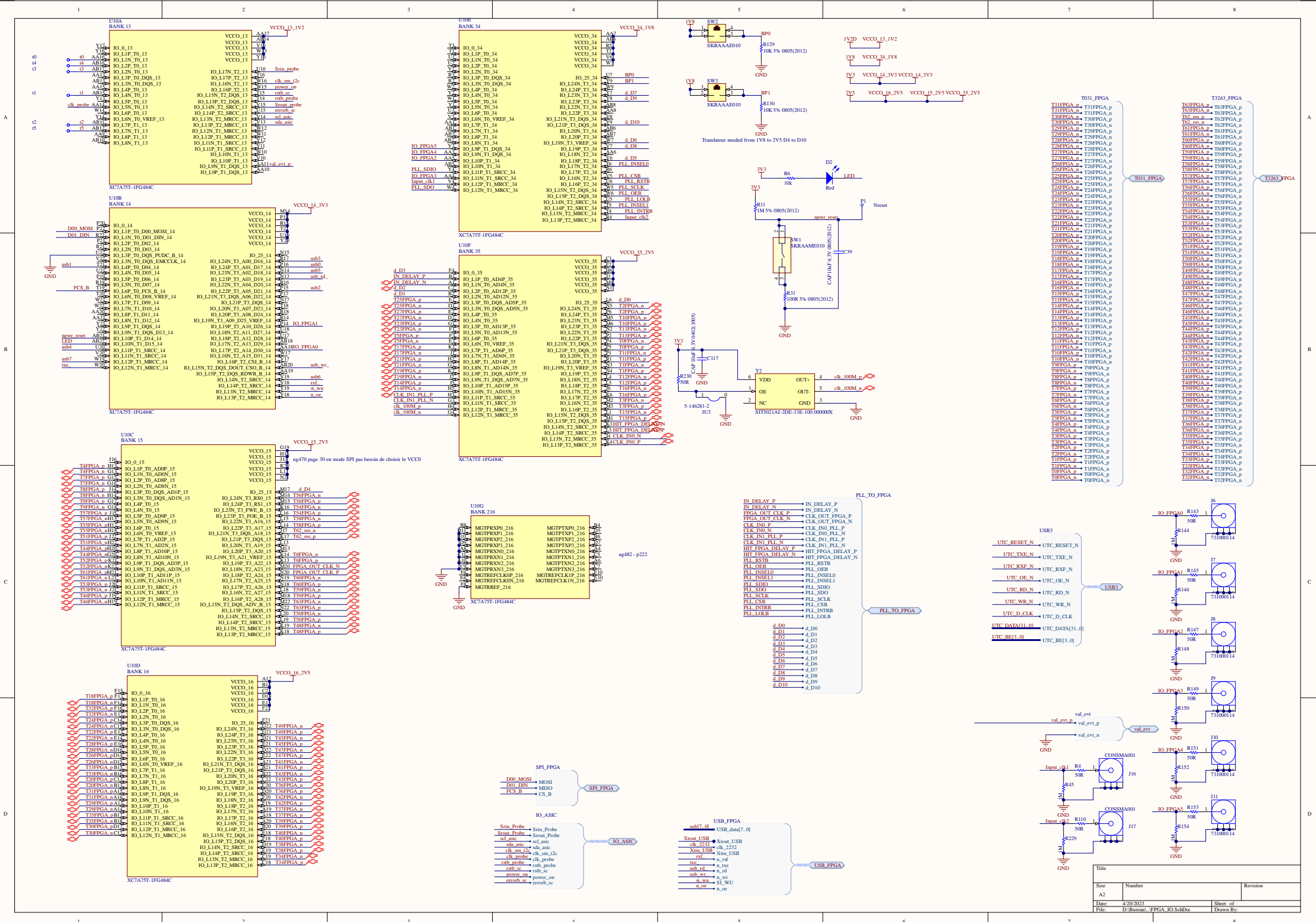
Title		
Size	Number	Revision
A4		
Date:	4/20/2023	Sheet of
File:	D:\Bureau\...\ASIC_Input.SchDoc	Drawn By:



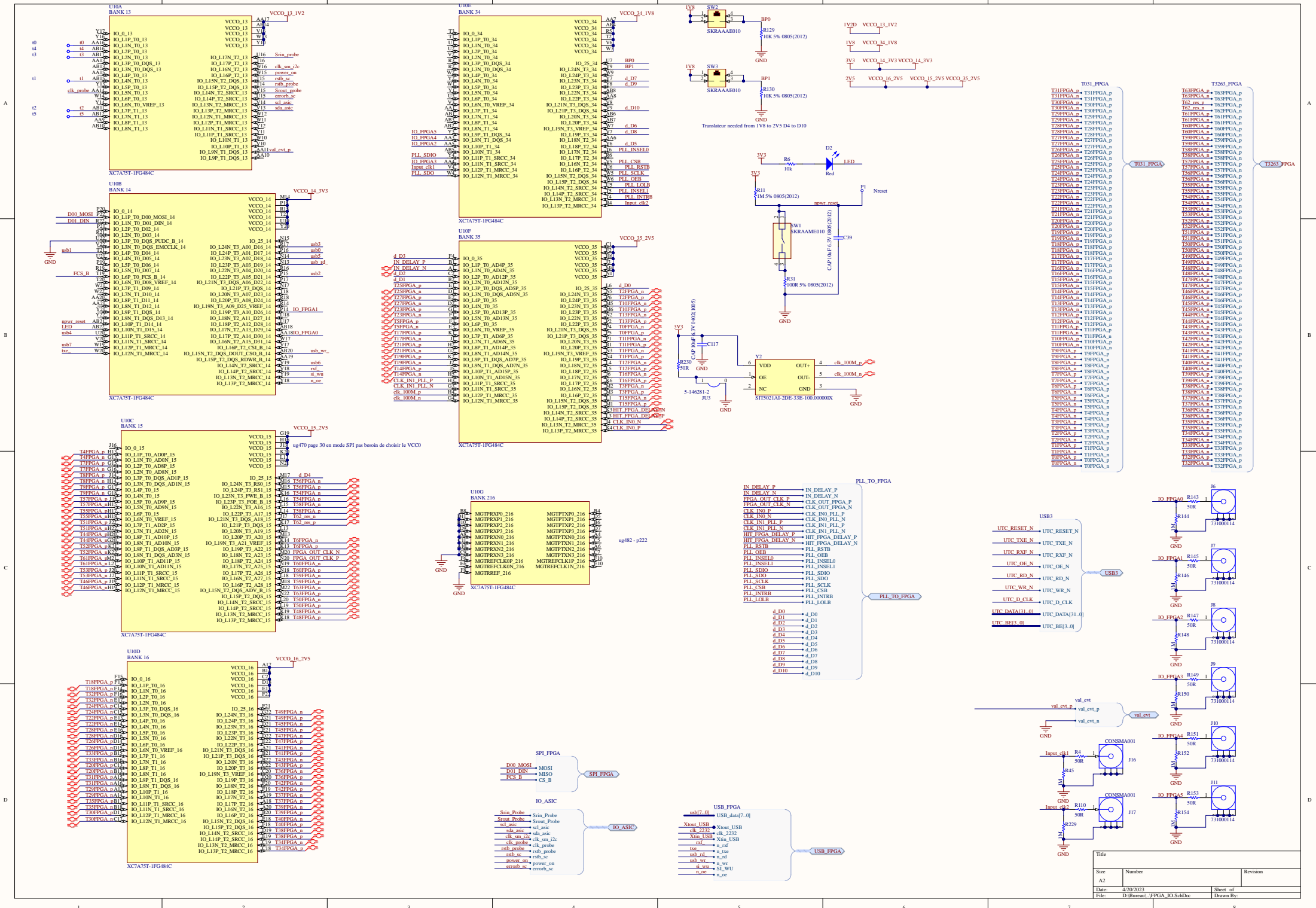
contrainte de routage : voir documentation de la voyfig ug470



Title		
Size	Number	Revision
Date	4/20/2023	Sheet of
File	D:\Bureau\FPGA\Config_SchDoc	Drawn By:

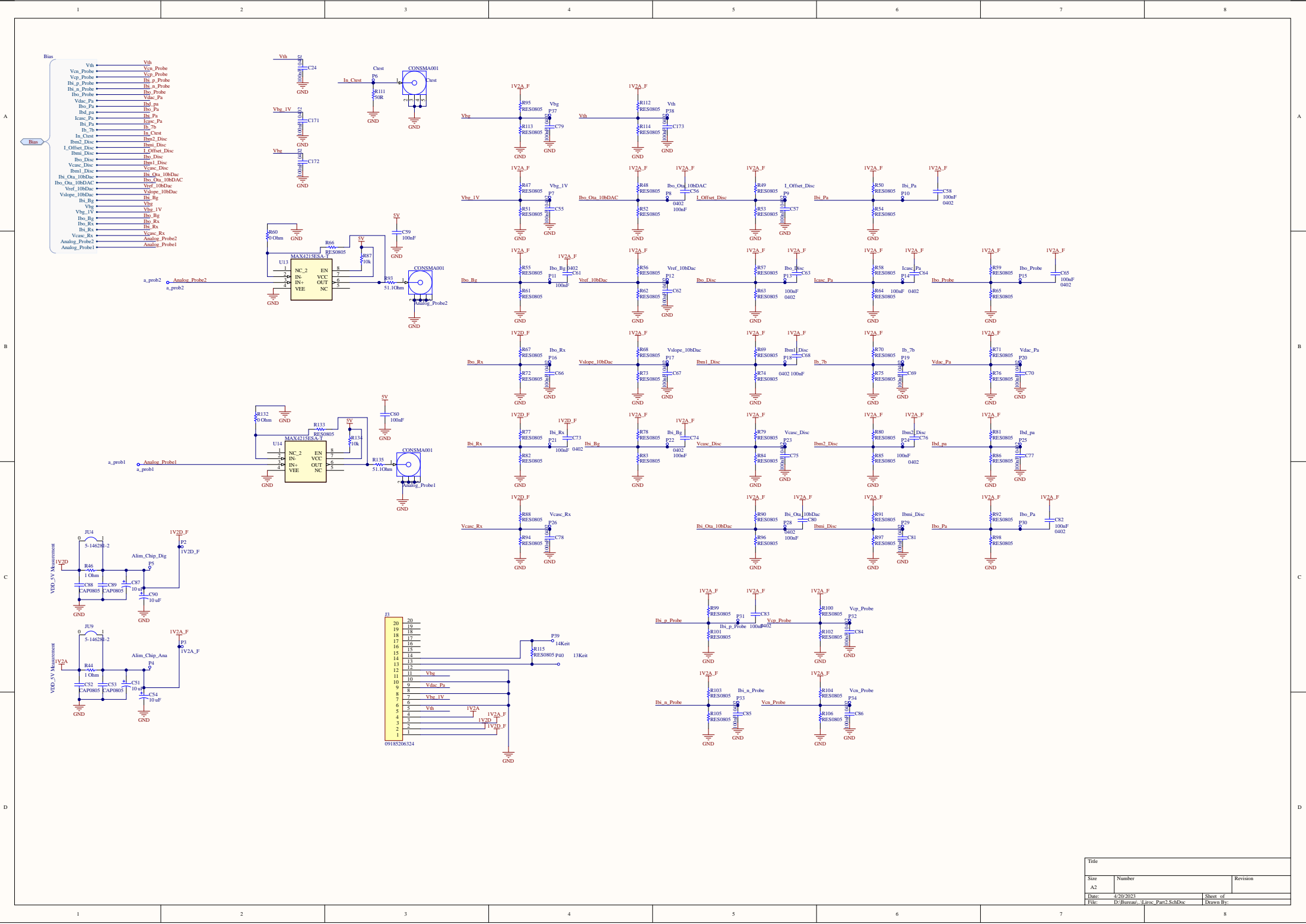


1 2 3 4 5 6 7 8



1 2 3 4 5 6 7 8

Size	Number	Revision
A2	4/10/2023	
Date:	D:\Bureau\FPGA_IO_SchDoc	Sheet of
File:		Drawn By:



Bias

Vih	Vih
Vcn_Probe	Vcn_Probe
Vcp_Probe	Vcp_Probe
Ibi_p_Probe	Ibi_p_Probe
Ibi_n_Probe	Ibi_n_Probe
Ibi_Probe	Ibi_Probe
Vdac_Pa	Vdac_Pa
Ibi_Pa	Ibi_Pa
Icasc_Pa	Icasc_Pa
Ibi_Pa	Ibi_Pa
Icasc_Pa	Icasc_Pa
Ib_7b	Ib_7b
In_Chest	In_Chest
Ibmi2_Disc	Ibmi2_Disc
Ibmi1_Disc	Ibmi1_Disc
Ibmi_Disc	Ibmi_Disc
Vcasc_Disc	Vcasc_Disc
Ibmi1_Disc	Ibmi1_Disc
Ibmi_Disc	Ibmi_Disc
Ibi_Ota_10bDac	Ibi_Ota_10bDac
Ibi_Ota_10bDac	Ibi_Ota_10bDac
Vref_10bDac	Vref_10bDac
Vref_10bDac	Vref_10bDac
Volpse_10bDac	Volpse_10bDac
Ibi_Bg	Ibi_Bg
Vbg	Vbg
Vbg_IV	Vbg_IV
Ibi_Bg	Ibi_Bg
Ibi_Rx	Ibi_Rx
Ibi_Rx	Ibi_Rx
Vcasc_Rx	Vcasc_Rx
Vcasc_Rx	Vcasc_Rx
Analog_Probe2	Analog_Probe2
Analog_Probe1	Analog_Probe1

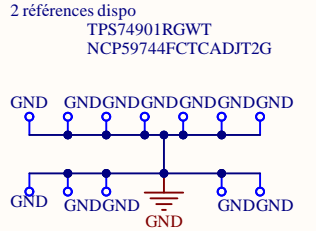
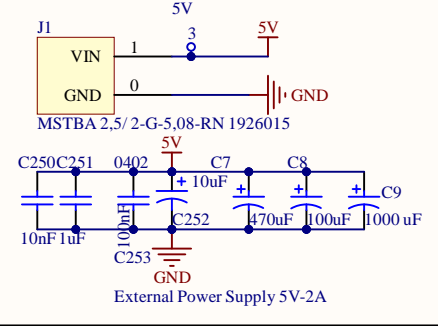
J3

20	
19	
18	
17	
16	
15	
14	
13	
12	
11	Vbg
10	Vdac_Pa
9	Vbg_IV
8	Vih
7	IV2A
6	IV2A_F
5	IV2D
4	IV2D_F
3	
2	
1	

09185206324

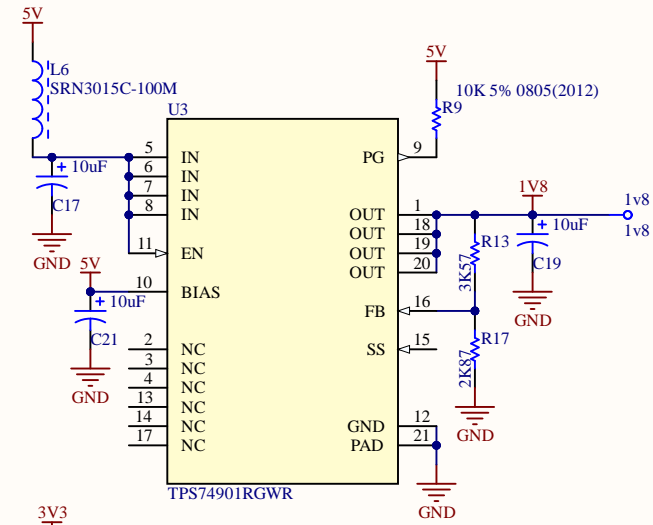
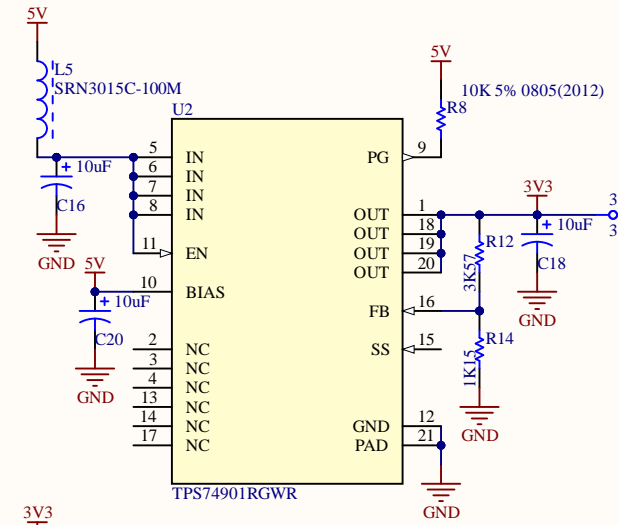
Title		
Size	Number	Revision
A2		
Date:	4/20/2023	Sheet of
File:	D:\Bunam_Latoc_Part2.SchDoc	Drawn By:

A



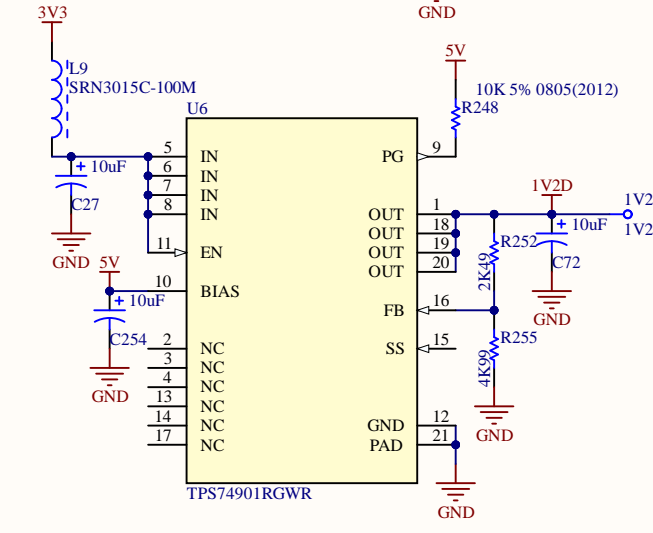
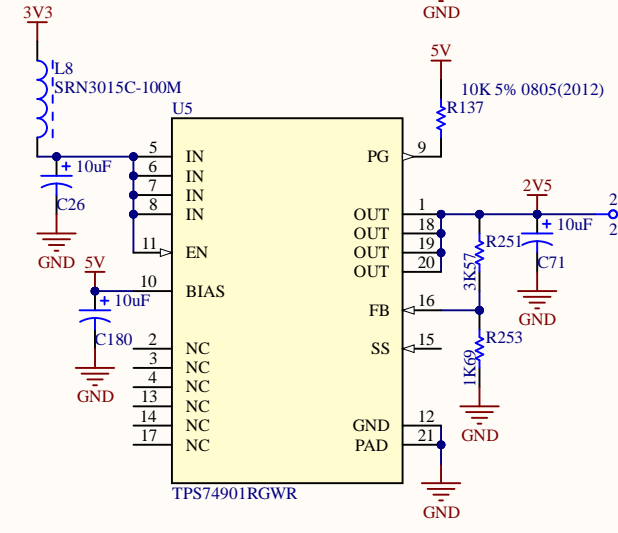
A

B



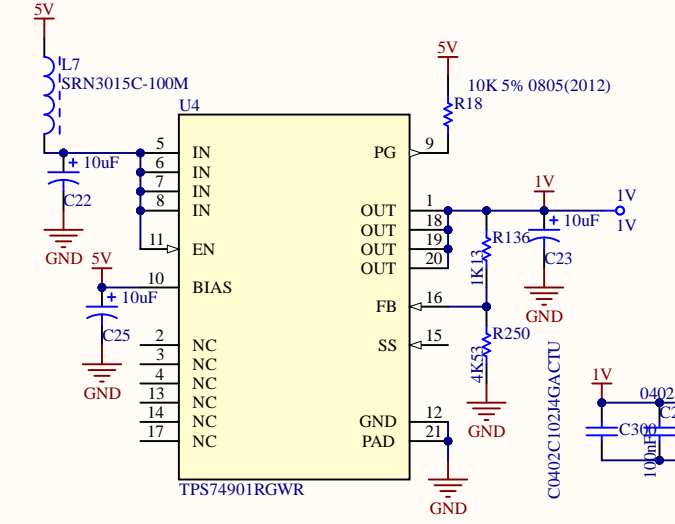
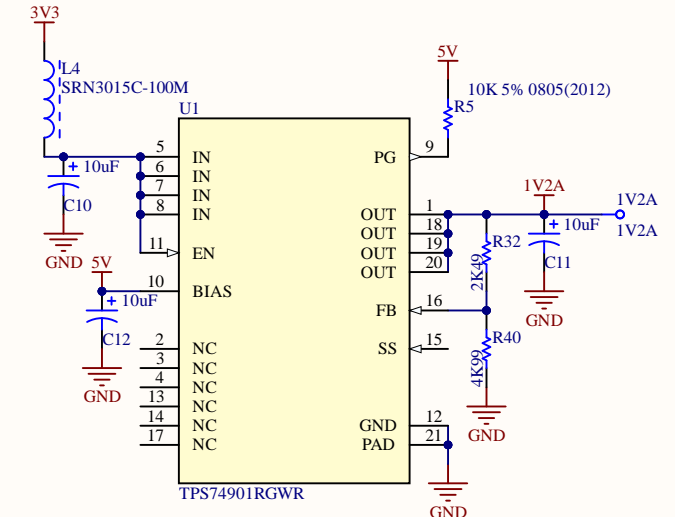
B

C



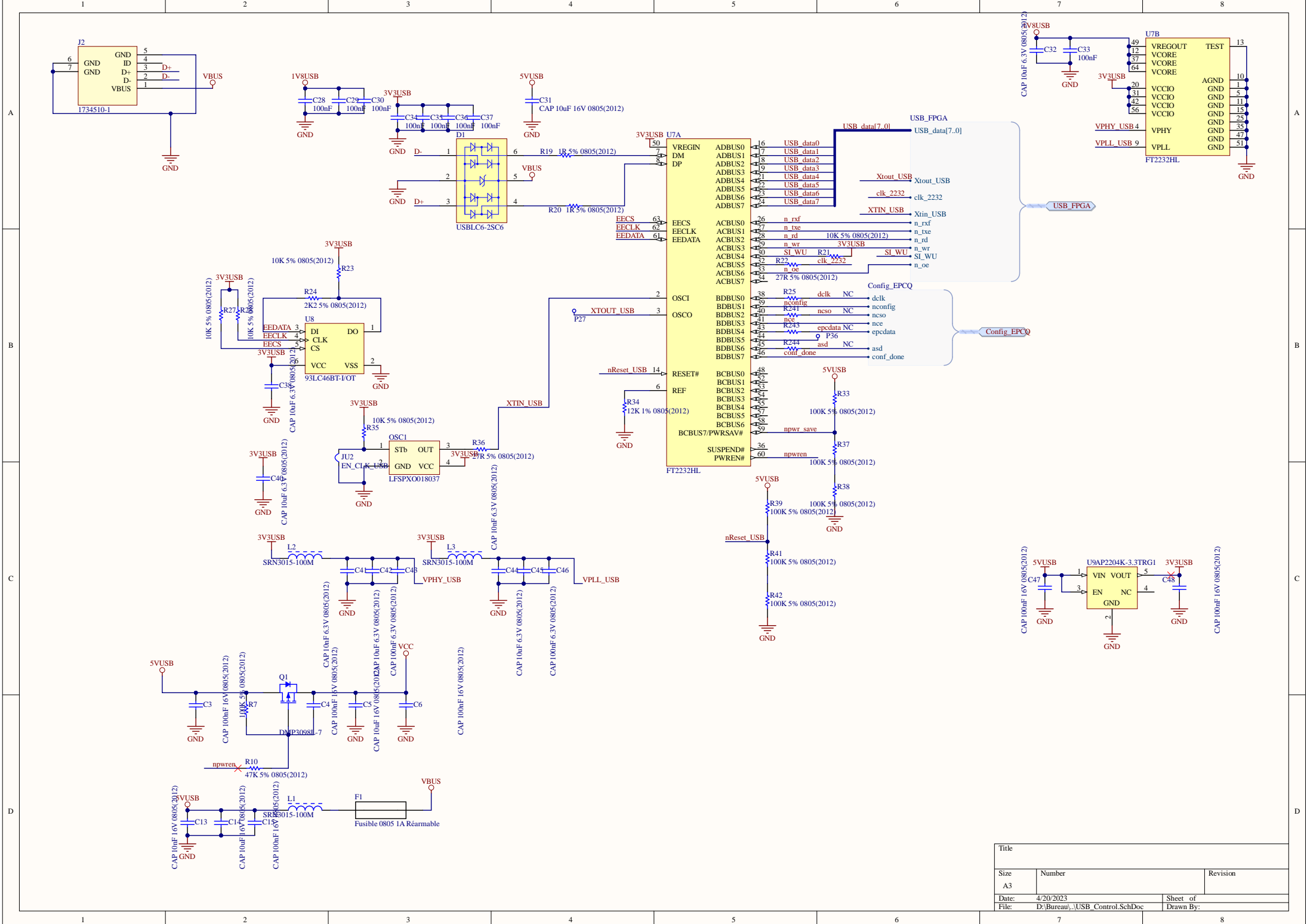
C

D

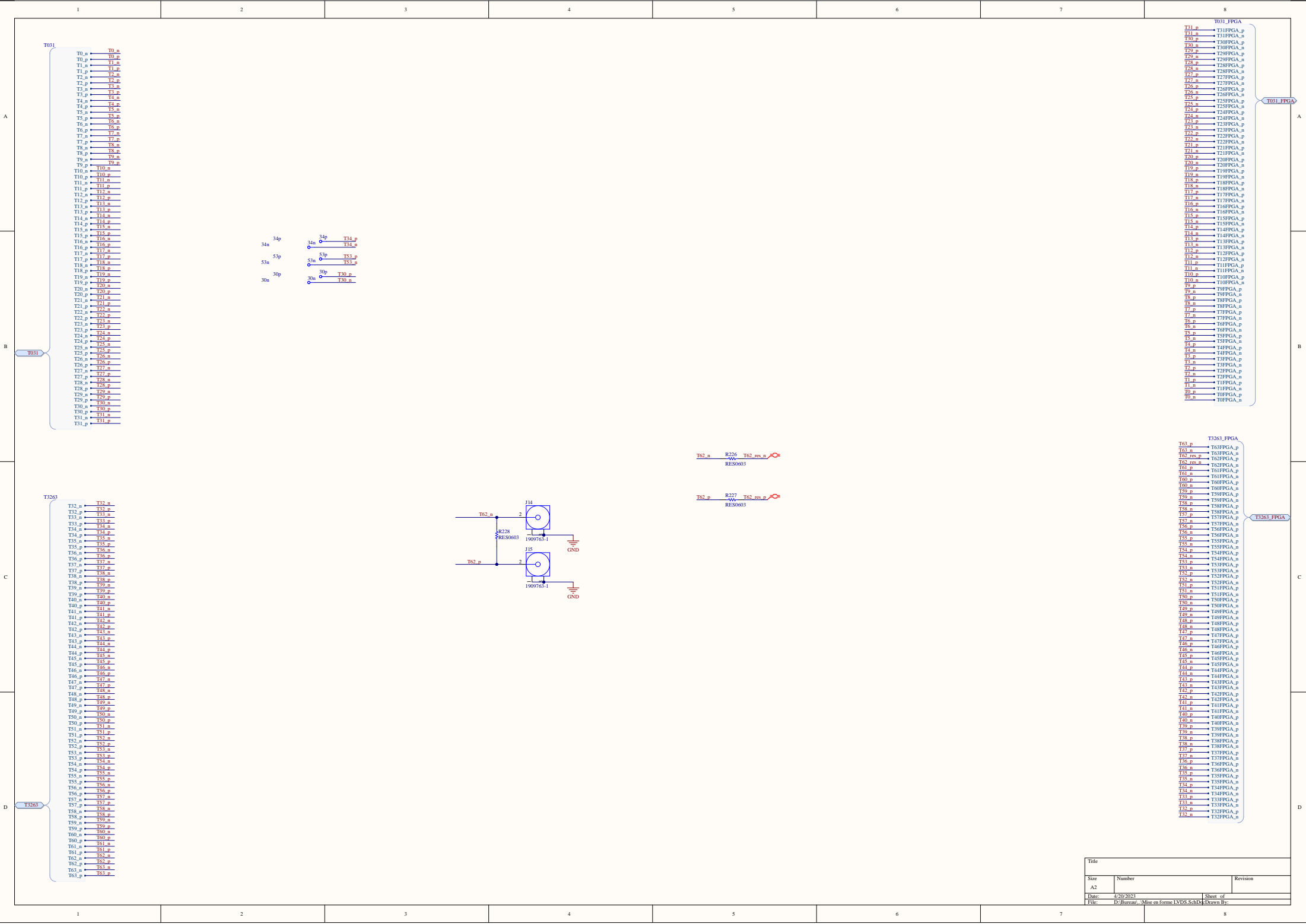


D

Title		
Size	Number	Revision
A4		1.0
Date:	4/20/2023	Sheet of 9
File:	D:\Bureau\...\PowerSupply.SchDoc	Drawn By: F.PEREZ



Title		
Size	Number	Revision
A3		
Date:	4/20/2023	Sheet of
File:	D:\Bureau\USB_Control.SchDoc	Drawn By:

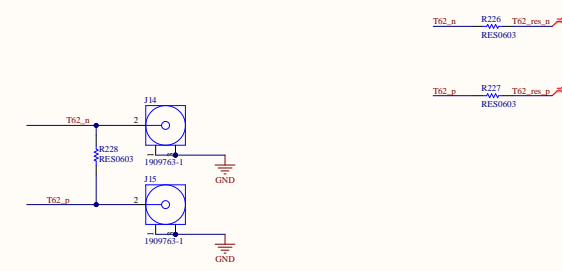


- T031**
- T0.n → T0.n
 - T0.p → T0.p
 - T1.n → T1.n
 - T1.p → T1.p
 - T2.n → T2.n
 - T2.p → T2.p
 - T3.n → T3.n
 - T3.p → T3.p
 - T4.n → T4.n
 - T4.p → T4.p
 - T5.n → T5.n
 - T5.p → T5.p
 - T6.n → T6.n
 - T6.p → T6.p
 - T7.n → T7.n
 - T7.p → T7.p
 - T8.n → T8.n
 - T8.p → T8.p
 - T9.n → T9.n
 - T9.p → T9.p
 - T10.n → T10.n
 - T10.p → T10.p
 - T11.n → T11.n
 - T11.p → T11.p
 - T12.n → T12.n
 - T12.p → T12.p
 - T13.n → T13.n
 - T13.p → T13.p
 - T14.n → T14.n
 - T14.p → T14.p
 - T15.n → T15.n
 - T15.p → T15.p
 - T16.n → T16.n
 - T16.p → T16.p
 - T17.n → T17.n
 - T17.p → T17.p
 - T18.n → T18.n
 - T18.p → T18.p
 - T19.n → T19.n
 - T19.p → T19.p
 - T20.n → T20.n
 - T20.p → T20.p
 - T21.n → T21.n
 - T21.p → T21.p
 - T22.n → T22.n
 - T22.p → T22.p
 - T23.n → T23.n
 - T23.p → T23.p
 - T24.n → T24.n
 - T24.p → T24.p
 - T25.n → T25.n
 - T25.p → T25.p
 - T26.n → T26.n
 - T26.p → T26.p
 - T27.n → T27.n
 - T27.p → T27.p
 - T28.n → T28.n
 - T28.p → T28.p
 - T29.n → T29.n
 - T29.p → T29.p
 - T30.n → T30.n
 - T30.p → T30.p
 - T31.n → T31.n
 - T31.p → T31.p
 - T32.n → T32.n
 - T32.p → T32.p



- T031_FPGA**
- T31.p → T31FPGA.p
 - T31.n → T31FPGA.n
 - T30.p → T30FPGA.p
 - T30.n → T30FPGA.n
 - T29.p → T29FPGA.p
 - T29.n → T29FPGA.n
 - T28.p → T28FPGA.p
 - T28.n → T28FPGA.n
 - T27.p → T27FPGA.p
 - T27.n → T27FPGA.n
 - T26.p → T26FPGA.p
 - T26.n → T26FPGA.n
 - T25.p → T25FPGA.p
 - T25.n → T25FPGA.n
 - T24.p → T24FPGA.p
 - T24.n → T24FPGA.n
 - T23.p → T23FPGA.p
 - T23.n → T23FPGA.n
 - T22.p → T22FPGA.p
 - T22.n → T22FPGA.n
 - T21.p → T21FPGA.p
 - T21.n → T21FPGA.n
 - T20.p → T20FPGA.p
 - T20.n → T20FPGA.n
 - T19.p → T19FPGA.p
 - T19.n → T19FPGA.n
 - T18.p → T18FPGA.p
 - T18.n → T18FPGA.n
 - T17.p → T17FPGA.p
 - T17.n → T17FPGA.n
 - T16.p → T16FPGA.p
 - T16.n → T16FPGA.n
 - T15.p → T15FPGA.p
 - T15.n → T15FPGA.n
 - T14.p → T14FPGA.p
 - T14.n → T14FPGA.n
 - T13.p → T13FPGA.p
 - T13.n → T13FPGA.n
 - T12.p → T12FPGA.p
 - T12.n → T12FPGA.n
 - T11.p → T11FPGA.p
 - T11.n → T11FPGA.n
 - T10.p → T10FPGA.p
 - T10.n → T10FPGA.n
 - T09.p → T09FPGA.p
 - T09.n → T09FPGA.n
 - T08.p → T08FPGA.p
 - T08.n → T08FPGA.n
 - T07.p → T07FPGA.p
 - T07.n → T07FPGA.n
 - T06.p → T06FPGA.p
 - T06.n → T06FPGA.n
 - T05.p → T05FPGA.p
 - T05.n → T05FPGA.n
 - T04.p → T04FPGA.p
 - T04.n → T04FPGA.n
 - T03.p → T03FPGA.p
 - T03.n → T03FPGA.n
 - T02.p → T02FPGA.p
 - T02.n → T02FPGA.n
 - T01.p → T01FPGA.p
 - T01.n → T01FPGA.n

- T3263**
- T32.n → T32.n
 - T32.p → T32.p
 - T33.n → T33.n
 - T33.p → T33.p
 - T34.n → T34.n
 - T34.p → T34.p
 - T35.n → T35.n
 - T35.p → T35.p
 - T36.n → T36.n
 - T36.p → T36.p
 - T37.n → T37.n
 - T37.p → T37.p
 - T38.n → T38.n
 - T38.p → T38.p
 - T39.n → T39.n
 - T39.p → T39.p
 - T40.n → T40.n
 - T40.p → T40.p
 - T41.n → T41.n
 - T41.p → T41.p
 - T42.n → T42.n
 - T42.p → T42.p
 - T43.n → T43.n
 - T43.p → T43.p
 - T44.n → T44.n
 - T44.p → T44.p
 - T45.n → T45.n
 - T45.p → T45.p
 - T46.n → T46.n
 - T46.p → T46.p
 - T47.n → T47.n
 - T47.p → T47.p
 - T48.n → T48.n
 - T48.p → T48.p
 - T49.n → T49.n
 - T49.p → T49.p
 - T50.n → T50.n
 - T50.p → T50.p
 - T51.n → T51.n
 - T51.p → T51.p
 - T52.n → T52.n
 - T52.p → T52.p
 - T53.n → T53.n
 - T53.p → T53.p
 - T54.n → T54.n
 - T54.p → T54.p
 - T55.n → T55.n
 - T55.p → T55.p
 - T56.n → T56.n
 - T56.p → T56.p
 - T57.n → T57.n
 - T57.p → T57.p
 - T58.n → T58.n
 - T58.p → T58.p
 - T59.n → T59.n
 - T59.p → T59.p
 - T60.n → T60.n
 - T60.p → T60.p
 - T61.n → T61.n
 - T61.p → T61.p
 - T62.n → T62.n
 - T62.p → T62.p
 - T63.n → T63.n
 - T63.p → T63.p



- T3263_FPGA**
- T63.p → T63FPGA.p
 - T63.n → T63FPGA.n
 - T62.res.p → T62FPGA.p
 - T62.res.n → T62FPGA.n
 - T61.res.p → T61FPGA.p
 - T61.res.n → T61FPGA.n
 - T60.p → T60FPGA.p
 - T60.n → T60FPGA.n
 - T59.p → T59FPGA.p
 - T59.n → T59FPGA.n
 - T58.p → T58FPGA.p
 - T58.n → T58FPGA.n
 - T57.p → T57FPGA.p
 - T57.n → T57FPGA.n
 - T56.p → T56FPGA.p
 - T56.n → T56FPGA.n
 - T55.p → T55FPGA.p
 - T55.n → T55FPGA.n
 - T54.p → T54FPGA.p
 - T54.n → T54FPGA.n
 - T53.p → T53FPGA.p
 - T53.n → T53FPGA.n
 - T52.p → T52FPGA.p
 - T52.n → T52FPGA.n
 - T51.p → T51FPGA.p
 - T51.n → T51FPGA.n
 - T50.p → T50FPGA.p
 - T50.n → T50FPGA.n
 - T49.p → T49FPGA.p
 - T49.n → T49FPGA.n
 - T48.p → T48FPGA.p
 - T48.n → T48FPGA.n
 - T47.p → T47FPGA.p
 - T47.n → T47FPGA.n
 - T46.p → T46FPGA.p
 - T46.n → T46FPGA.n
 - T45.p → T45FPGA.p
 - T45.n → T45FPGA.n
 - T44.p → T44FPGA.p
 - T44.n → T44FPGA.n
 - T43.p → T43FPGA.p
 - T43.n → T43FPGA.n
 - T42.p → T42FPGA.p
 - T42.n → T42FPGA.n
 - T41.p → T41FPGA.p
 - T41.n → T41FPGA.n
 - T40.p → T40FPGA.p
 - T40.n → T40FPGA.n
 - T39.p → T39FPGA.p
 - T39.n → T39FPGA.n
 - T38.p → T38FPGA.p
 - T38.n → T38FPGA.n
 - T37.p → T37FPGA.p
 - T37.n → T37FPGA.n
 - T36.p → T36FPGA.p
 - T36.n → T36FPGA.n
 - T35.p → T35FPGA.p
 - T35.n → T35FPGA.n
 - T34.p → T34FPGA.p
 - T34.n → T34FPGA.n
 - T33.p → T33FPGA.p
 - T33.n → T33FPGA.n
 - T32.p → T32FPGA.p
 - T32.n → T32FPGA.n

Title			
Size	Number	Revision	
A2	4/20/2023	Sheet of	
Date	4/20/2023	Sheet of	
File	D:\Bureau\...Misc en forme LVDS.Sch4	Drawn By:	

