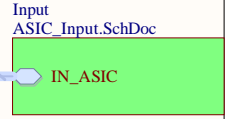
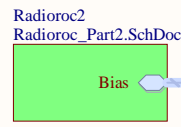
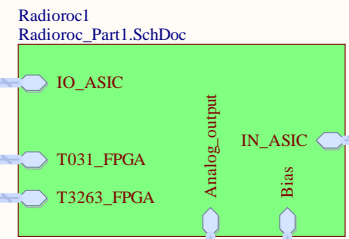
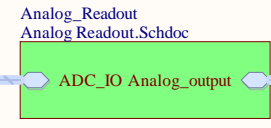
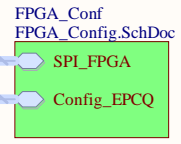
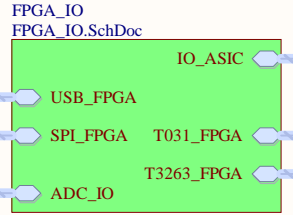
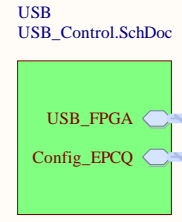
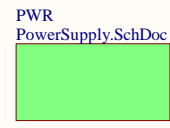
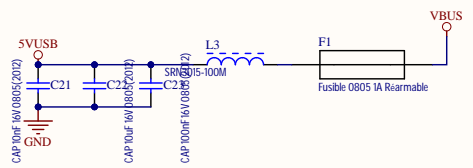
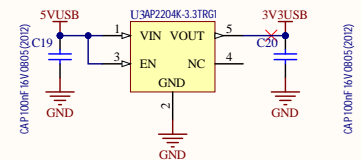
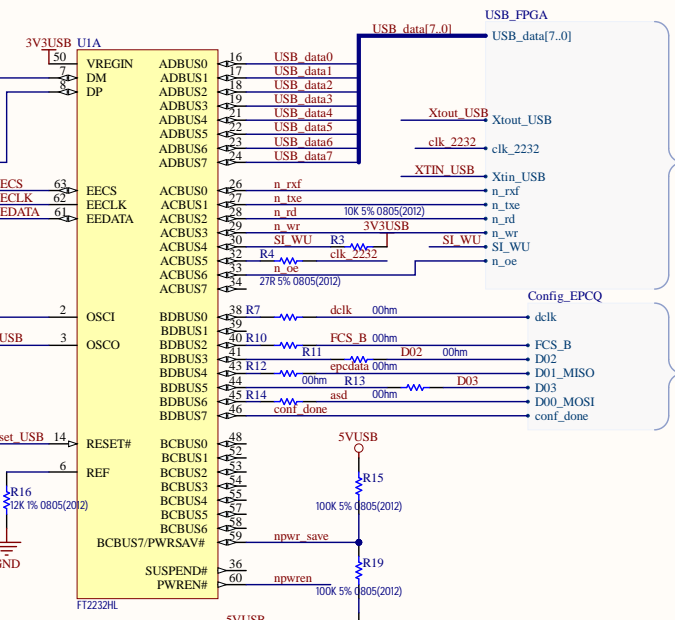
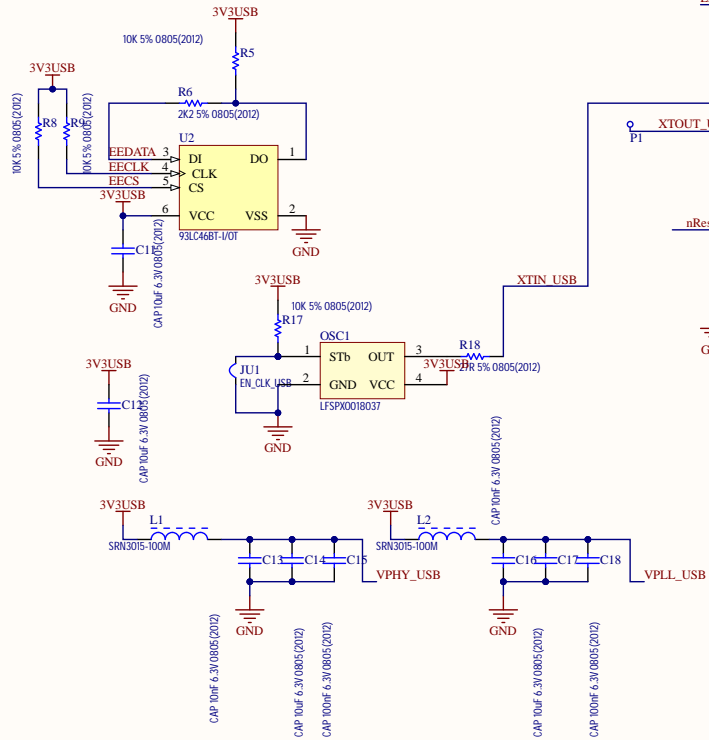
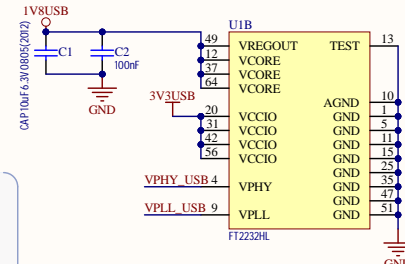
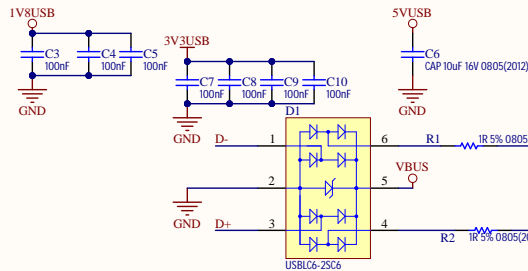
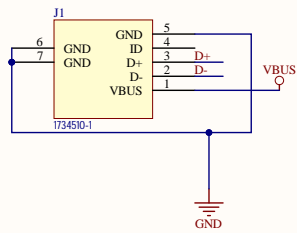


Radioroc v3 Log :
Schematic :
 Remove Pull-down res on Program_B (FPGA_Config)
 Remove HV Filter for single Channels (ASIC Input)
 Input connector changed to EdgeBoard Type (ASIC Input)
 Add resistor bridge for vbias 1v (add ref for vbias_1V) and vbg (ASIC Input)
 Remove SMA at the Input side (Injection Board?) (ASIC Input)
 Add decoupling capacitor to the External ADC (Analog_Readout)
 Ib_paT referenced to vdd_pa (Radioroc_Part2)
 4k70hm for scl and sda pull-up (Radioroc_Part1)
 Suppres Testpoint on LVDS lines (Mise en forme LVDS)
 Remove PMOS for VCCUSB (USB_Control)
 val_evt_n replaced from GND to 0.6V allowing 1,2V single ended on val_evt_p
 Change and add some IO FPGA and Test points (FPGA_IO)

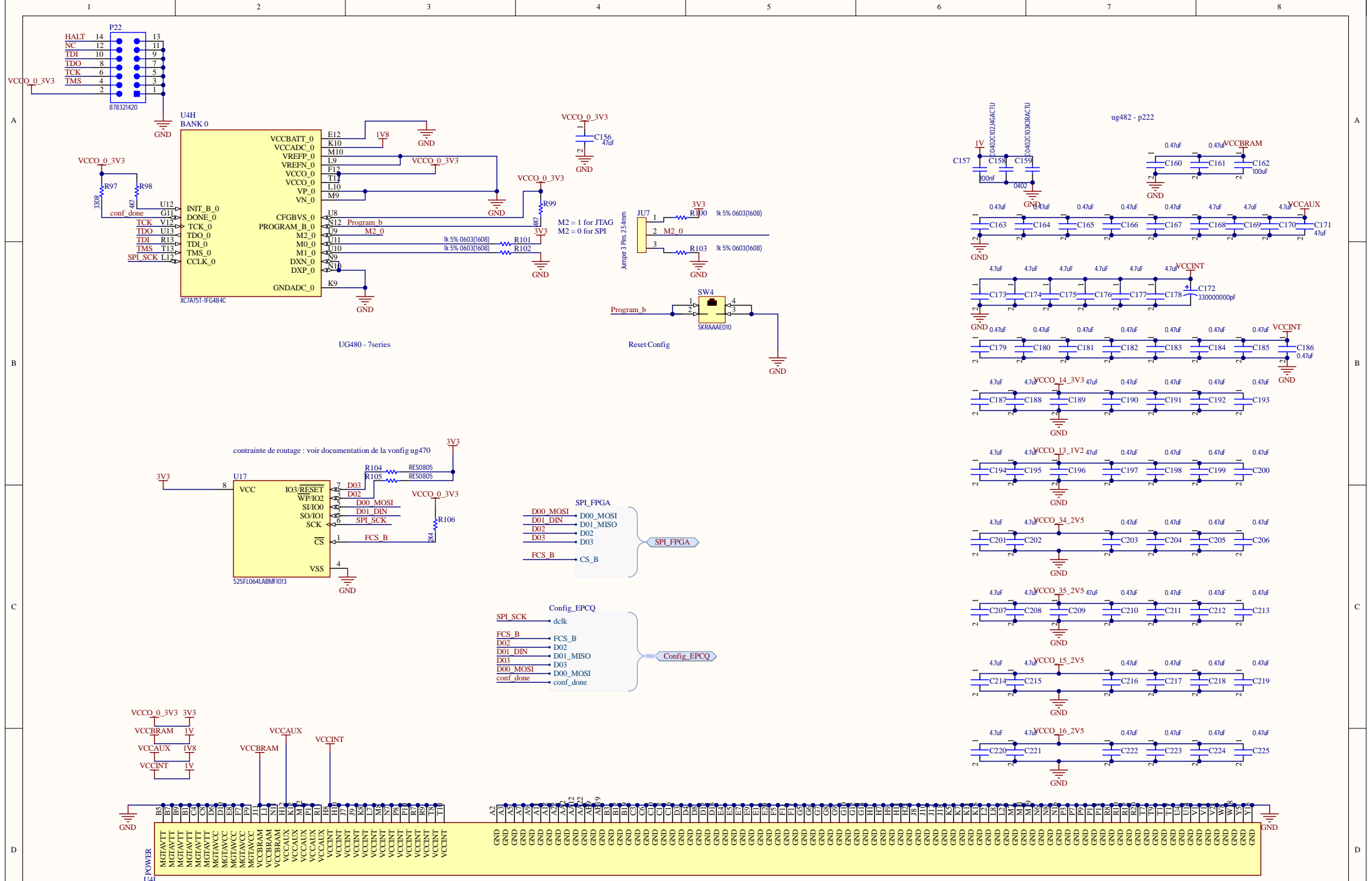
PCB :
 Reroute shunt 0.1 Ohm in a 4 wire and analog readout path
 Update GND Bridge
 Route Input connector closer to the ASIC
 Change the socket constraints to the new Yamaichi's one
 Add Mechanical holes for Crystal/SiPM board



Title Radioroc v3 Artix7 - Top		
Size A4	Number	Revision 1.3
Date: 4/24/2025	Sheet 1 of 9	
File: D:\Bureau\...\Top Level.SchDoc	Drawn By: F.PEREZ	

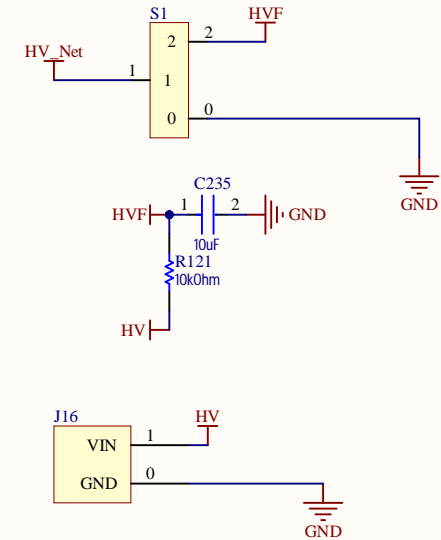
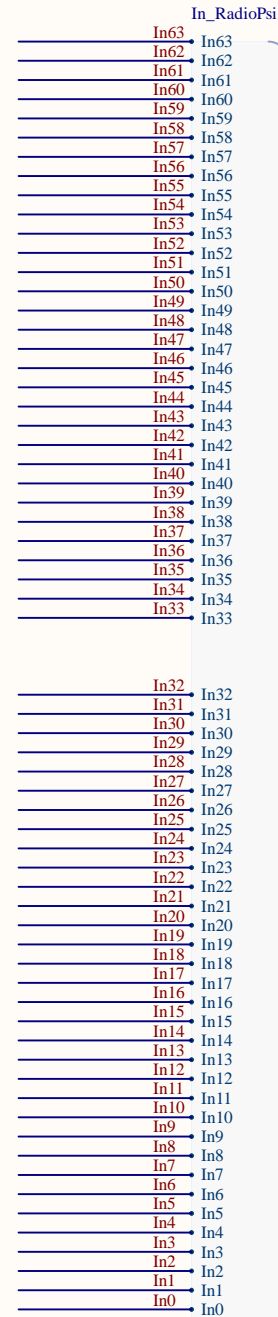
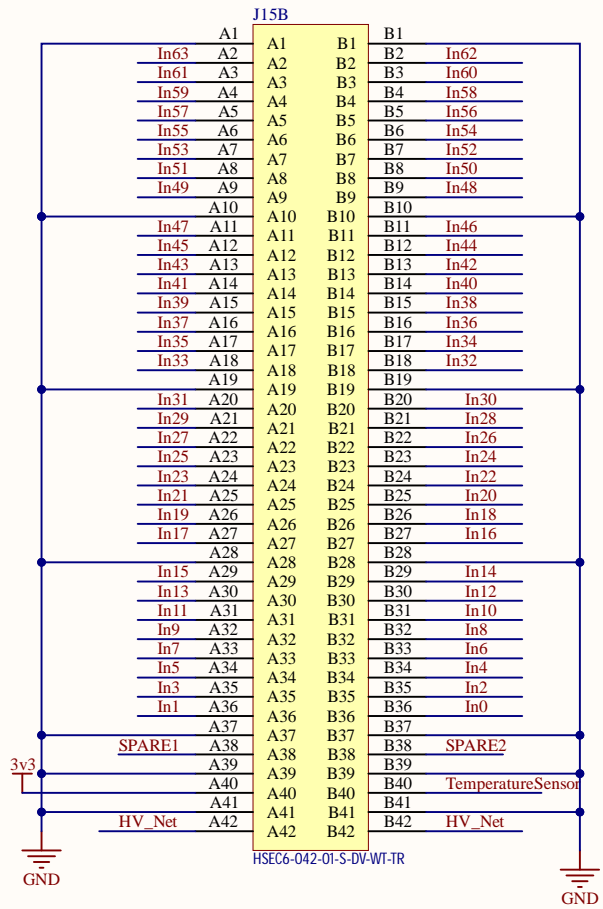


Title		
Psiroc v3 Artix7 - USB Control		
Size	Number	Revision
A3		1.3
Date:	4/24/2025	Sheet2 of9
File:	D:\Bureau\...USB_Control.SchDoc	Drawn By: F.PEREZ



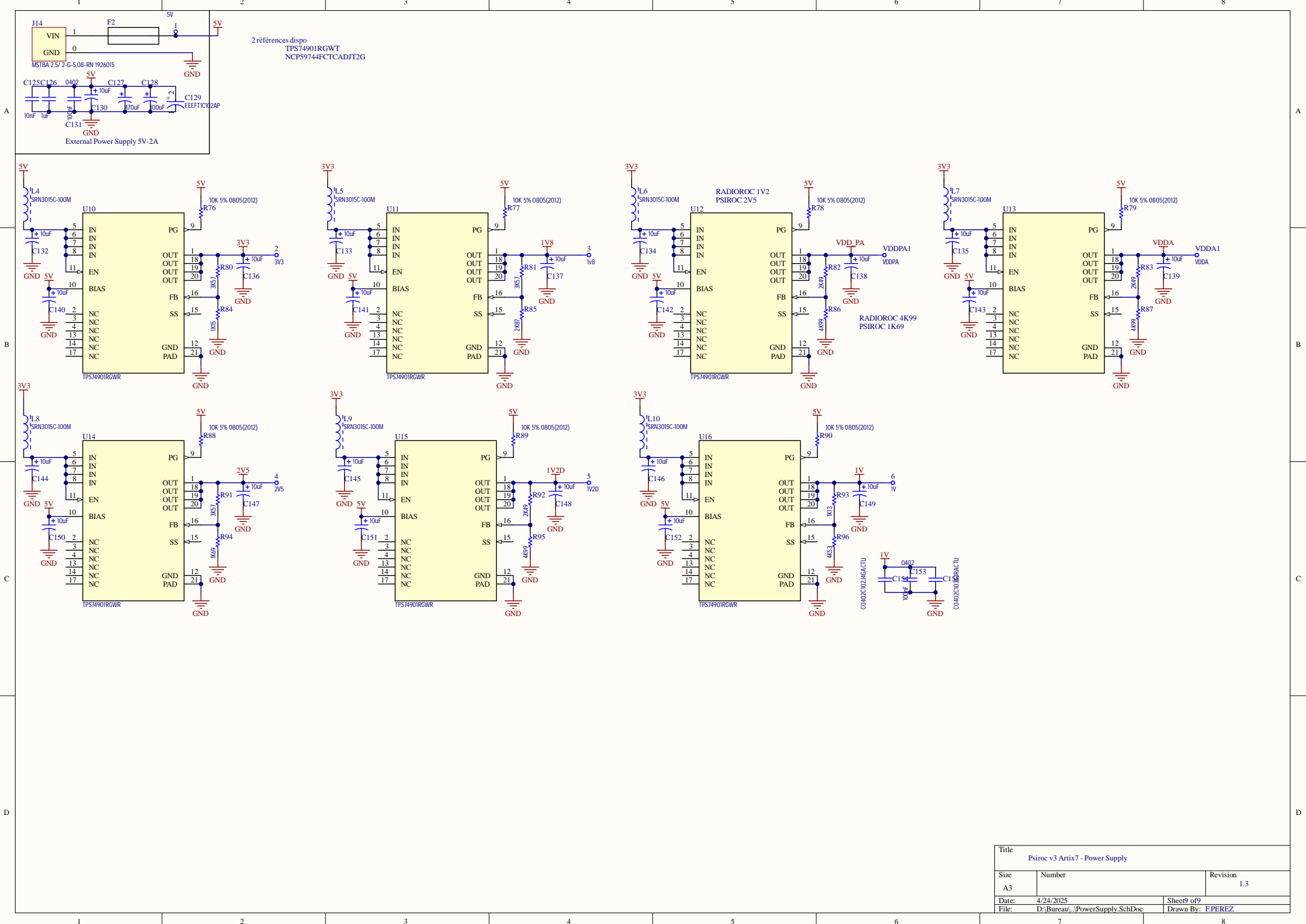
Title		
Psiroc v3 Artix7 - FPGA Config		
Size	Number	Revision
A3		1.3
Date:	4/24/2025	Sheet4 of9
File:	D:\Bureau\..._FPGA Config.SchDoc	Drawn By: F.PEREZ

Compatible with Weeroc 2414_EdgeConnector Board



In_ASIC

Title		
Psiroc v3 Artix7 - SiPM EdgeBoard Connector Input		
Size	Number	Revision
A4		1.3
Date:	4/24/2025	Sheet5 of 9
File:	D:\Bureau\...\ASIC_Input.SchDoc	Drawn By: F.PEREZ



2 références dispo
 TPS74901RGWT
 NCP59744FCTCADJT2G

RADIOROC 1V2
 PSIROC 2V5

RADIOROC 4K99
 PSIROC 1K69

Title		
Psiroc v3 Artix7 - Power Supply		
Size	Number	Revision
A3		1.3
Date:	4/24/2025	Sheet9 of9
File:	D:\Bureau\...\PowerSupply\SchDoc	Drawn By: F.PEREZ

