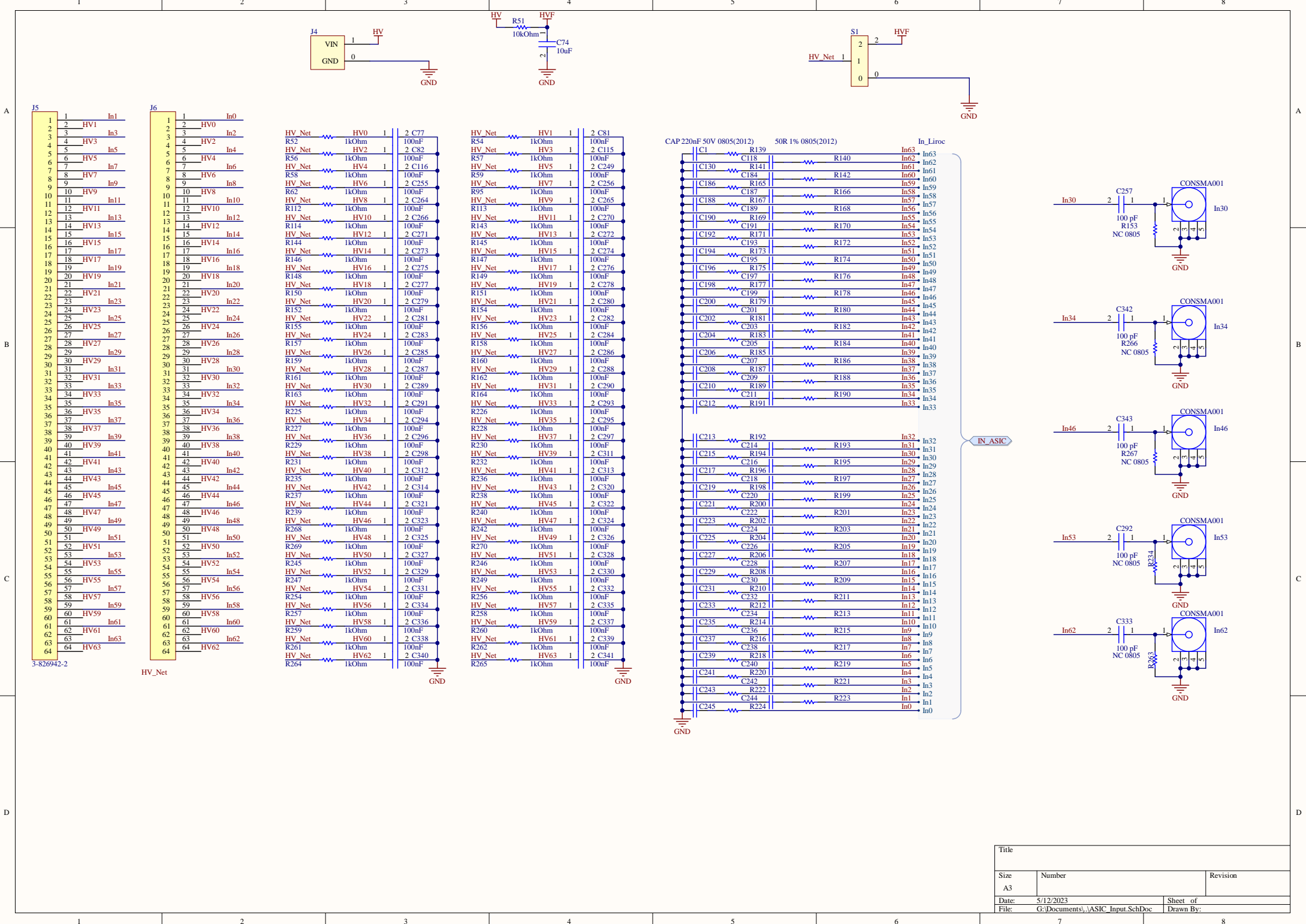


Title ADC de lecture de LG et HG		
Size A3	Number	Revision
Date: 5/12/2023	Sheet of	
File: G:\Documents\...\Analog readout_SchDoc	Drawn By:	

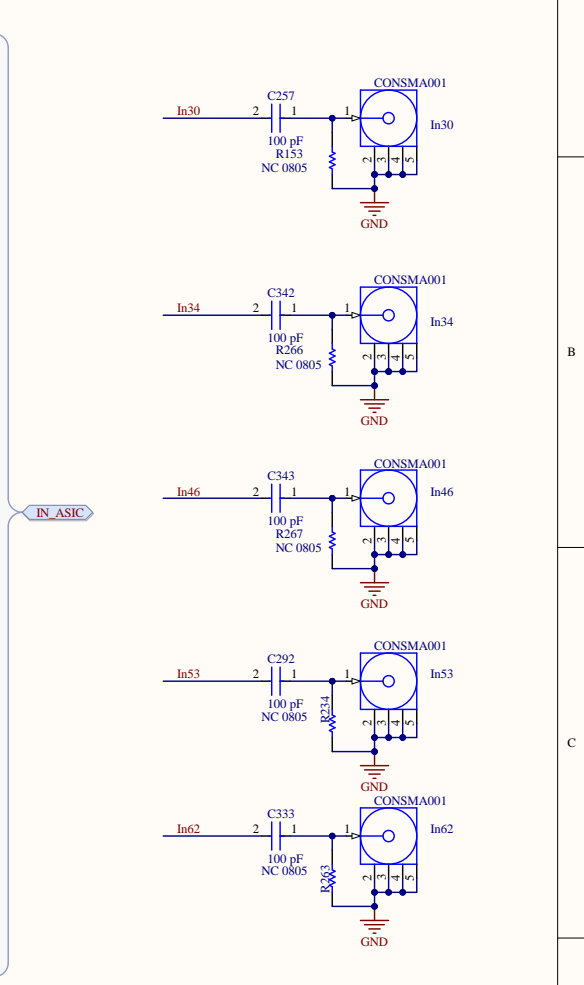


J5	Pin	Label
1	1	In1
2	2	HV1
3	3	In3
4	4	HV3
5	5	In5
6	6	HV5
7	7	In7
8	8	HV7
9	9	In9
10	10	HV9
11	11	In11
12	12	HV11
13	13	In13
14	14	HV13
15	15	In15
16	16	HV15
17	17	In17
18	18	HV17
19	19	In19
20	20	HV19
21	21	In21
22	22	HV21
23	23	In23
24	24	HV23
25	25	In25
26	26	HV25
27	27	In27
28	28	HV27
29	29	In29
30	30	HV29
31	31	In31
32	32	HV31
33	33	In33
34	34	HV33
35	35	In35
36	36	HV35
37	37	In37
38	38	HV37
39	39	In39
40	40	HV39
41	41	In41
42	42	HV41
43	43	In43
44	44	HV43
45	45	In45
46	46	HV45
47	47	In47
48	48	HV47
49	49	In49
50	50	HV49
51	51	In51
52	52	HV51
53	53	In53
54	54	HV53
55	55	In55
56	56	HV55
57	57	In57
58	58	HV57
59	59	In59
60	60	HV59
61	61	In61
62	62	HV61
63	63	In63
64	64	HV63

J6	Pin	Label
1	1	In0
2	2	HV0
3	3	In2
4	4	HV2
5	5	In4
6	6	HV4
7	7	In6
8	8	HV6
9	9	In8
10	10	HV8
11	11	In10
12	12	HV10
13	13	In12
14	14	HV12
15	15	In14
16	16	HV14
17	17	In16
18	18	HV16
19	19	In18
20	20	HV18
21	21	In20
22	22	HV20
23	23	In22
24	24	HV22
25	25	In24
26	26	HV24
27	27	In26
28	28	HV26
29	29	In28
30	30	HV28
31	31	In30
32	32	HV30
33	33	In32
34	34	HV32
35	35	In34
36	36	HV34
37	37	In36
38	38	HV36
39	39	In38
40	40	HV38
41	41	In40
42	42	HV40
43	43	In42
44	44	HV42
45	45	In44
46	46	HV44
47	47	In46
48	48	HV46
49	49	In48
50	50	HV48
51	51	In50
52	52	HV50
53	53	In52
54	54	HV52
55	55	In54
56	56	HV54
57	57	In56
58	58	HV56
59	59	In58
60	60	HV58
61	61	In60
62	62	HV60
63	63	In62
64	64	HV62

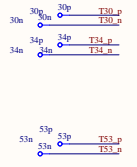
Component	Value	Pin	Label
HV_Net	1kOhm	HV0	1
R52	100nF	C77	2
HV_Net	1kOhm	HV2	1
R54	100nF	C82	2
HV_Net	1kOhm	HV4	1
R56	100nF	C116	2
HV_Net	1kOhm	HV6	1
R58	100nF	C255	2
HV_Net	1kOhm	HV8	1
R62	100nF	C264	2
HV_Net	1kOhm	HV10	1
R112	100nF	C266	2
HV_Net	1kOhm	HV12	1
R114	100nF	C271	2
HV_Net	1kOhm	HV14	1
R144	100nF	C273	2
HV_Net	1kOhm	HV16	1
R146	100nF	C275	2
HV_Net	1kOhm	HV18	1
R148	100nF	C277	2
HV_Net	1kOhm	HV20	1
R150	100nF	C279	2
HV_Net	1kOhm	HV22	1
R152	100nF	C281	2
HV_Net	1kOhm	HV24	1
R155	100nF	C283	2
HV_Net	1kOhm	HV26	1
R157	100nF	C285	2
HV_Net	1kOhm	HV28	1
R159	100nF	C287	2
HV_Net	1kOhm	HV30	1
R161	100nF	C289	2
HV_Net	1kOhm	HV32	1
R163	100nF	C291	2
HV_Net	1kOhm	HV34	1
R225	100nF	C294	2
HV_Net	1kOhm	HV36	1
R227	100nF	C296	2
HV_Net	1kOhm	HV38	1
R229	100nF	C298	2
HV_Net	1kOhm	HV40	1
R231	100nF	C312	2
HV_Net	1kOhm	HV42	1
R235	100nF	C314	2
HV_Net	1kOhm	HV44	1
R237	100nF	C321	2
HV_Net	1kOhm	HV46	1
R239	100nF	C323	2
HV_Net	1kOhm	HV48	1
R241	100nF	C325	2
HV_Net	1kOhm	HV50	1
R269	100nF	C327	2
HV_Net	1kOhm	HV52	1
R245	100nF	C329	2
HV_Net	1kOhm	HV54	1
R247	100nF	C331	2
HV_Net	1kOhm	HV56	1
R254	100nF	C334	2
HV_Net	1kOhm	HV58	1
R257	100nF	C336	2
HV_Net	1kOhm	HV60	1
R259	100nF	C338	2
HV_Net	1kOhm	HV62	1
R261	100nF	C340	2
HV_Net	1kOhm	HV64	1
R264	100nF	C342	2

Component	Value	Pin	Label
HV_Net	1kOhm	HV1	1
R54	100nF	C81	2
HV_Net	1kOhm	HV3	1
R57	100nF	C115	2
HV_Net	1kOhm	HV5	1
R59	100nF	C249	2
HV_Net	1kOhm	HV7	1
R95	100nF	C256	2
HV_Net	1kOhm	HV9	1
R113	100nF	C265	2
HV_Net	1kOhm	HV11	1
R143	100nF	C270	2
HV_Net	1kOhm	HV13	1
R145	100nF	C272	2
HV_Net	1kOhm	HV15	1
R147	100nF	C274	2
HV_Net	1kOhm	HV17	1
R149	100nF	C276	2
HV_Net	1kOhm	HV19	1
R151	100nF	C278	2
HV_Net	1kOhm	HV21	1
R154	100nF	C280	2
HV_Net	1kOhm	HV23	1
R156	100nF	C282	2
HV_Net	1kOhm	HV25	1
R158	100nF	C284	2
HV_Net	1kOhm	HV27	1
R160	100nF	C286	2
HV_Net	1kOhm	HV29	1
R162	100nF	C288	2
HV_Net	1kOhm	HV31	1
R164	100nF	C290	2
HV_Net	1kOhm	HV33	1
R226	100nF	C293	2
HV_Net	1kOhm	HV35	1
R228	100nF	C295	2
HV_Net	1kOhm	HV37	1
R230	100nF	C297	2
HV_Net	1kOhm	HV39	1
R232	100nF	C311	2
HV_Net	1kOhm	HV41	1
R236	100nF	C313	2
HV_Net	1kOhm	HV43	1
R238	100nF	C320	2
HV_Net	1kOhm	HV45	1
R240	100nF	C322	2
HV_Net	1kOhm	HV47	1
R242	100nF	C324	2
HV_Net	1kOhm	HV49	1
R270	100nF	C326	2
HV_Net	1kOhm	HV51	1
R246	100nF	C328	2
HV_Net	1kOhm	HV53	1
R249	100nF	C330	2
HV_Net	1kOhm	HV55	1
R256	100nF	C332	2
HV_Net	1kOhm	HV57	1
R258	100nF	C335	2
HV_Net	1kOhm	HV59	1
R260	100nF	C337	2
HV_Net	1kOhm	HV61	1
R262	100nF	C339	2
HV_Net	1kOhm	HV63	1
R265	100nF	C341	2



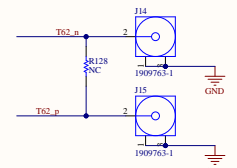
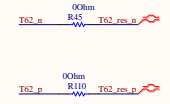
Title		
Size	Number	Revision
A3		
Date:	5/12/2023	Sheet of
File:	G:\Documents\...\ASIC_Input_Sch.Doc	Drawn By:

- T031
- T0_n ← T0_n
 - T0_p ← T0_p
 - T1_n ← T1_n
 - T1_p ← T1_p
 - T2_n ← T2_n
 - T2_p ← T2_p
 - T3_n ← T3_n
 - T3_p ← T3_p
 - T4_n ← T4_n
 - T4_p ← T4_p
 - T5_n ← T5_n
 - T5_p ← T5_p
 - T6_n ← T6_n
 - T6_p ← T6_p
 - T7_n ← T7_n
 - T7_p ← T7_p
 - T8_n ← T8_n
 - T8_p ← T8_p
 - T9_n ← T9_n
 - T9_p ← T9_p
 - T10_n ← T10_n
 - T10_p ← T10_p
 - T11_n ← T11_n
 - T11_p ← T11_p
 - T12_n ← T12_n
 - T12_p ← T12_p
 - T13_n ← T13_n
 - T13_p ← T13_p
 - T14_n ← T14_n
 - T14_p ← T14_p
 - T15_n ← T15_n
 - T15_p ← T15_p
 - T16_n ← T16_n
 - T16_p ← T16_p
 - T17_n ← T17_n
 - T17_p ← T17_p
 - T18_n ← T18_n
 - T18_p ← T18_p
 - T19_n ← T19_n
 - T19_p ← T19_p
 - T20_n ← T20_n
 - T20_p ← T20_p
 - T21_n ← T21_n
 - T21_p ← T21_p
 - T22_n ← T22_n
 - T22_p ← T22_p
 - T23_n ← T23_n
 - T23_p ← T23_p
 - T24_n ← T24_n
 - T24_p ← T24_p
 - T25_n ← T25_n
 - T25_p ← T25_p
 - T26_n ← T26_n
 - T26_p ← T26_p
 - T27_n ← T27_n
 - T27_p ← T27_p
 - T28_n ← T28_n
 - T28_p ← T28_p
 - T29_n ← T29_n
 - T29_p ← T29_p
 - T30_n ← T30_n
 - T30_p ← T30_p
 - T31_n ← T31_n
 - T31_p ← T31_p
 - T32_n ← T32_n
 - T32_p ← T32_p
 - T33_n ← T33_n
 - T33_p ← T33_p
 - T34_n ← T34_n
 - T34_p ← T34_p
 - T35_n ← T35_n
 - T35_p ← T35_p
 - T36_n ← T36_n
 - T36_p ← T36_p
 - T37_n ← T37_n
 - T37_p ← T37_p
 - T38_n ← T38_n
 - T38_p ← T38_p
 - T39_n ← T39_n
 - T39_p ← T39_p
 - T40_n ← T40_n
 - T40_p ← T40_p
 - T41_n ← T41_n
 - T41_p ← T41_p
 - T42_n ← T42_n
 - T42_p ← T42_p
 - T43_n ← T43_n
 - T43_p ← T43_p
 - T44_n ← T44_n
 - T44_p ← T44_p
 - T45_n ← T45_n
 - T45_p ← T45_p
 - T46_n ← T46_n
 - T46_p ← T46_p
 - T47_n ← T47_n
 - T47_p ← T47_p
 - T48_n ← T48_n
 - T48_p ← T48_p
 - T49_n ← T49_n
 - T49_p ← T49_p
 - T50_n ← T50_n
 - T50_p ← T50_p
 - T51_n ← T51_n
 - T51_p ← T51_p
 - T52_n ← T52_n
 - T52_p ← T52_p
 - T53_n ← T53_n
 - T53_p ← T53_p
 - T54_n ← T54_n
 - T54_p ← T54_p
 - T55_n ← T55_n
 - T55_p ← T55_p
 - T56_n ← T56_n
 - T56_p ← T56_p
 - T57_n ← T57_n
 - T57_p ← T57_p
 - T58_n ← T58_n
 - T58_p ← T58_p
 - T59_n ← T59_n
 - T59_p ← T59_p
 - T60_n ← T60_n
 - T60_p ← T60_p
 - T61_n ← T61_n
 - T61_p ← T61_p
 - T62_n ← T62_n
 - T62_p ← T62_p
 - T63_n ← T63_n
 - T63_p ← T63_p
 - T64_n ← T64_n
 - T64_p ← T64_p



- T031_FPGA
- T31_p → T31FPGA_p
 - T31_n → T31FPGA_n
 - T30_p → T30FPGA_p
 - T30_n → T30FPGA_n
 - T29_p → T29FPGA_p
 - T29_n → T29FPGA_n
 - T28_p → T28FPGA_p
 - T28_n → T28FPGA_n
 - T27_p → T27FPGA_p
 - T27_n → T27FPGA_n
 - T26_p → T26FPGA_p
 - T26_n → T26FPGA_n
 - T25_p → T25FPGA_p
 - T25_n → T25FPGA_n
 - T24_p → T24FPGA_p
 - T24_n → T24FPGA_n
 - T23_p → T23FPGA_p
 - T23_n → T23FPGA_n
 - T22_p → T22FPGA_p
 - T22_n → T22FPGA_n
 - T21_p → T21FPGA_p
 - T21_n → T21FPGA_n
 - T20_p → T20FPGA_p
 - T20_n → T20FPGA_n
 - T19_p → T19FPGA_p
 - T19_n → T19FPGA_n
 - T18_p → T18FPGA_p
 - T18_n → T18FPGA_n
 - T17_p → T17FPGA_p
 - T17_n → T17FPGA_n
 - T16_p → T16FPGA_p
 - T16_n → T16FPGA_n
 - T15_p → T15FPGA_p
 - T15_n → T15FPGA_n
 - T14_p → T14FPGA_p
 - T14_n → T14FPGA_n
 - T13_p → T13FPGA_p
 - T13_n → T13FPGA_n
 - T12_p → T12FPGA_p
 - T12_n → T12FPGA_n
 - T11_p → T11FPGA_p
 - T11_n → T11FPGA_n
 - T10_p → T10FPGA_p
 - T10_n → T10FPGA_n
 - T9_p → T9FPGA_p
 - T9_n → T9FPGA_n
 - T8_p → T8FPGA_p
 - T8_n → T8FPGA_n
 - T7_p → T7FPGA_p
 - T7_n → T7FPGA_n
 - T6_p → T6FPGA_p
 - T6_n → T6FPGA_n
 - T5_p → T5FPGA_p
 - T5_n → T5FPGA_n
 - T4_p → T4FPGA_p
 - T4_n → T4FPGA_n
 - T3_p → T3FPGA_p
 - T3_n → T3FPGA_n
 - T2_p → T2FPGA_p
 - T2_n → T2FPGA_n
 - T1_p → T1FPGA_p
 - T1_n → T1FPGA_n

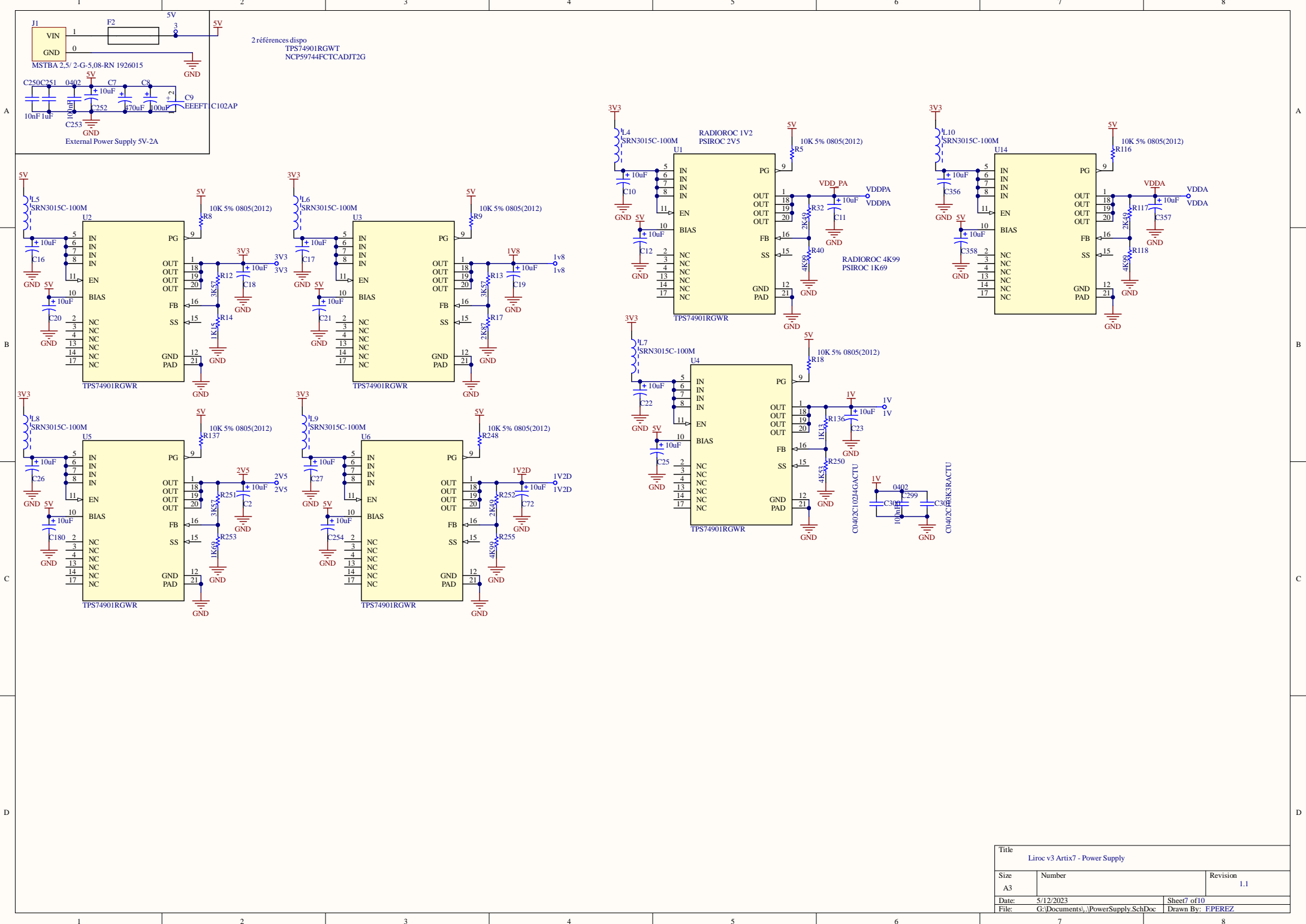
- T031
- T32_n ← T32_n
 - T32_p ← T32_p
 - T33_n ← T33_n
 - T33_p ← T33_p
 - T34_n ← T34_n
 - T34_p ← T34_p
 - T35_n ← T35_n
 - T35_p ← T35_p
 - T36_n ← T36_n
 - T36_p ← T36_p
 - T37_n ← T37_n
 - T37_p ← T37_p
 - T38_n ← T38_n
 - T38_p ← T38_p
 - T39_n ← T39_n
 - T39_p ← T39_p
 - T40_n ← T40_n
 - T40_p ← T40_p
 - T41_n ← T41_n
 - T41_p ← T41_p
 - T42_n ← T42_n
 - T42_p ← T42_p
 - T43_n ← T43_n
 - T43_p ← T43_p
 - T44_n ← T44_n
 - T44_p ← T44_p
 - T45_n ← T45_n
 - T45_p ← T45_p
 - T46_n ← T46_n
 - T46_p ← T46_p
 - T47_n ← T47_n
 - T47_p ← T47_p
 - T48_n ← T48_n
 - T48_p ← T48_p
 - T49_n ← T49_n
 - T49_p ← T49_p
 - T50_n ← T50_n
 - T50_p ← T50_p
 - T51_n ← T51_n
 - T51_p ← T51_p
 - T52_n ← T52_n
 - T52_p ← T52_p
 - T53_n ← T53_n
 - T53_p ← T53_p
 - T54_n ← T54_n
 - T54_p ← T54_p
 - T55_n ← T55_n
 - T55_p ← T55_p
 - T56_n ← T56_n
 - T56_p ← T56_p
 - T57_n ← T57_n
 - T57_p ← T57_p
 - T58_n ← T58_n
 - T58_p ← T58_p
 - T59_n ← T59_n
 - T59_p ← T59_p
 - T60_n ← T60_n
 - T60_p ← T60_p
 - T61_n ← T61_n
 - T61_p ← T61_p
 - T62_n ← T62_n
 - T62_p ← T62_p
 - T63_n ← T63_n
 - T63_p ← T63_p
 - T64_n ← T64_n
 - T64_p ← T64_p



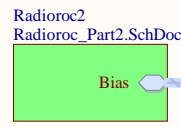
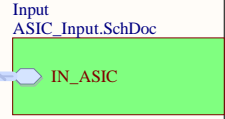
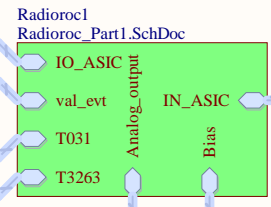
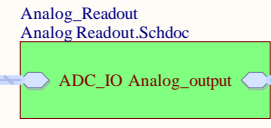
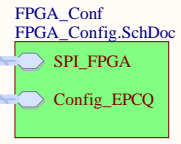
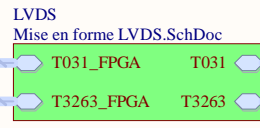
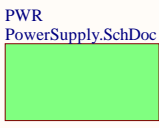
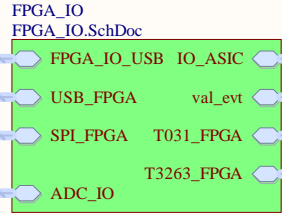
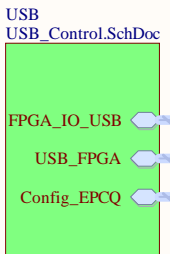
- T3263_FPGA
- T65_p → T63FPGA_p
 - T65_n → T63FPGA_n
 - T64_res_p → T62FPGA_p
 - T64_res_n → T62FPGA_n
 - T64_p → T64FPGA_p
 - T64_n → T64FPGA_n
 - T63_p → T61FPGA_p
 - T63_n → T61FPGA_n
 - T62_p → T60FPGA_p
 - T62_n → T60FPGA_n
 - T61_p → T59FPGA_p
 - T61_n → T59FPGA_n
 - T60_p → T58FPGA_p
 - T60_n → T58FPGA_n
 - T59_p → T57FPGA_p
 - T59_n → T57FPGA_n
 - T58_p → T56FPGA_p
 - T58_n → T56FPGA_n
 - T57_p → T55FPGA_p
 - T57_n → T55FPGA_n
 - T56_p → T54FPGA_p
 - T56_n → T54FPGA_n
 - T55_p → T53FPGA_p
 - T55_n → T53FPGA_n
 - T54_p → T52FPGA_p
 - T54_n → T52FPGA_n
 - T53_p → T51FPGA_p
 - T53_n → T51FPGA_n
 - T52_p → T50FPGA_p
 - T52_n → T50FPGA_n
 - T51_p → T49FPGA_p
 - T51_n → T49FPGA_n
 - T50_p → T48FPGA_p
 - T50_n → T48FPGA_n
 - T49_p → T47FPGA_p
 - T49_n → T47FPGA_n
 - T48_p → T46FPGA_p
 - T48_n → T46FPGA_n
 - T47_p → T45FPGA_p
 - T47_n → T45FPGA_n
 - T46_p → T44FPGA_p
 - T46_n → T44FPGA_n
 - T45_p → T43FPGA_p
 - T45_n → T43FPGA_n
 - T44_p → T42FPGA_p
 - T44_n → T42FPGA_n
 - T43_p → T41FPGA_p
 - T43_n → T41FPGA_n
 - T42_p → T40FPGA_p
 - T42_n → T40FPGA_n
 - T41_p → T39FPGA_p
 - T41_n → T39FPGA_n
 - T40_p → T38FPGA_p
 - T40_n → T38FPGA_n
 - T39_p → T37FPGA_p
 - T39_n → T37FPGA_n
 - T38_p → T36FPGA_p
 - T38_n → T36FPGA_n
 - T37_p → T35FPGA_p
 - T37_n → T35FPGA_n
 - T36_p → T34FPGA_p
 - T36_n → T34FPGA_n
 - T35_p → T33FPGA_p
 - T35_n → T33FPGA_n
 - T34_p → T32FPGA_p
 - T34_n → T32FPGA_n
 - T33_p → T31FPGA_p
 - T33_n → T31FPGA_n
 - T32_p → T30FPGA_p
 - T32_n → T30FPGA_n
 - T31_p → T29FPGA_p
 - T31_n → T29FPGA_n
 - T30_p → T28FPGA_p
 - T30_n → T28FPGA_n

- T3263
- T32_n ← T32_n
 - T32_p ← T32_p
 - T33_n ← T33_n
 - T33_p ← T33_p
 - T34_n ← T34_n
 - T34_p ← T34_p
 - T35_n ← T35_n
 - T35_p ← T35_p
 - T36_n ← T36_n
 - T36_p ← T36_p
 - T37_n ← T37_n
 - T37_p ← T37_p
 - T38_n ← T38_n
 - T38_p ← T38_p
 - T39_n ← T39_n
 - T39_p ← T39_p
 - T40_n ← T40_n
 - T40_p ← T40_p
 - T41_n ← T41_n
 - T41_p ← T41_p
 - T42_n ← T42_n
 - T42_p ← T42_p
 - T43_n ← T43_n
 - T43_p ← T43_p
 - T44_n ← T44_n
 - T44_p ← T44_p
 - T45_n ← T45_n
 - T45_p ← T45_p
 - T46_n ← T46_n
 - T46_p ← T46_p
 - T47_n ← T47_n
 - T47_p ← T47_p
 - T48_n ← T48_n
 - T48_p ← T48_p
 - T49_n ← T49_n
 - T49_p ← T49_p
 - T50_n ← T50_n
 - T50_p ← T50_p
 - T51_n ← T51_n
 - T51_p ← T51_p
 - T52_n ← T52_n
 - T52_p ← T52_p
 - T53_n ← T53_n
 - T53_p ← T53_p
 - T54_n ← T54_n
 - T54_p ← T54_p
 - T55_n ← T55_n
 - T55_p ← T55_p
 - T56_n ← T56_n
 - T56_p ← T56_p
 - T57_n ← T57_n
 - T57_p ← T57_p
 - T58_n ← T58_n
 - T58_p ← T58_p
 - T59_n ← T59_n
 - T59_p ← T59_p
 - T60_n ← T60_n
 - T60_p ← T60_p
 - T61_n ← T61_n
 - T61_p ← T61_p
 - T62_n ← T62_n
 - T62_p ← T62_p
 - T63_n ← T63_n
 - T63_p ← T63_p
 - T64_n ← T64_n
 - T64_p ← T64_p

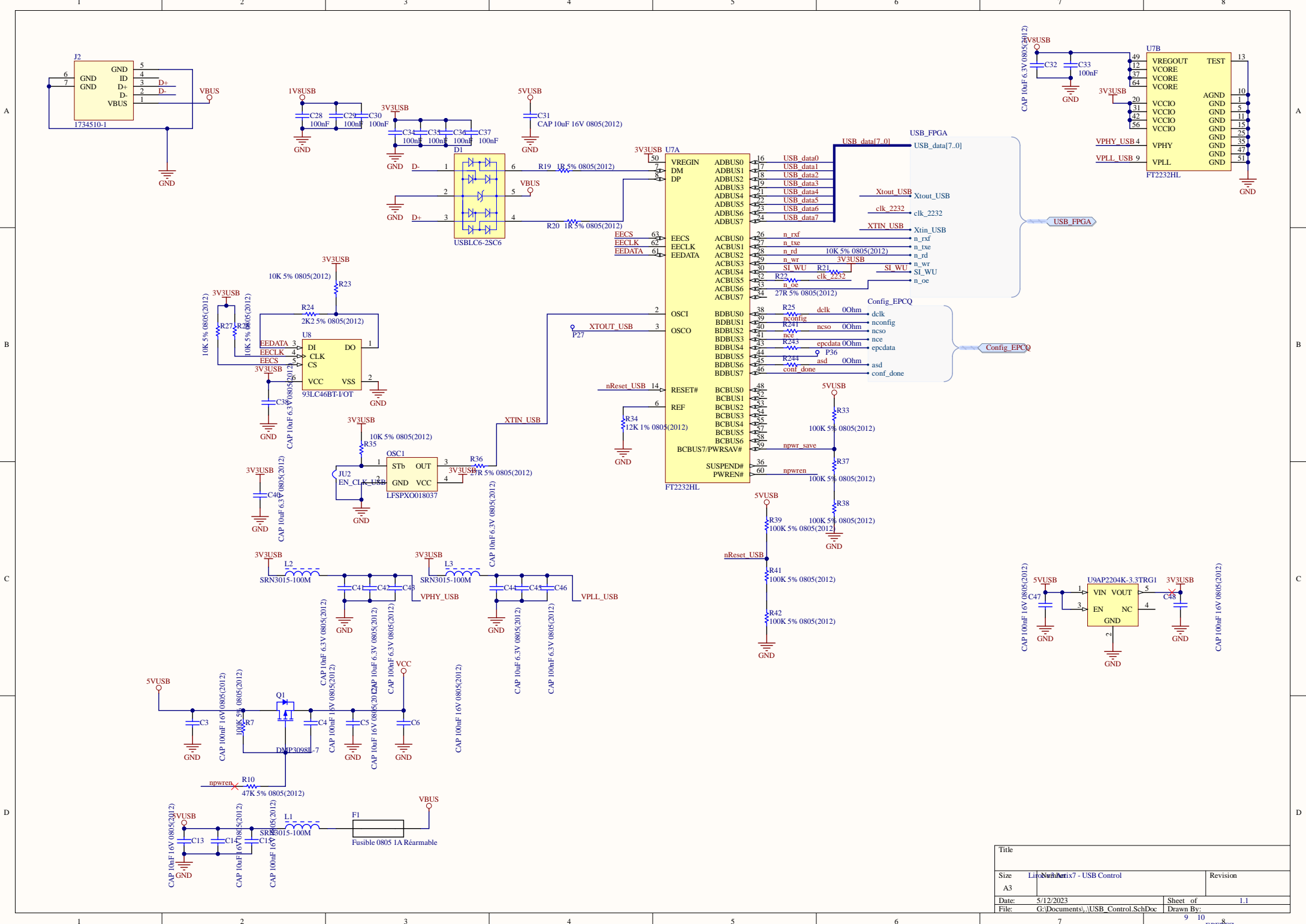
Title		
Size	Number	Revision
Date: 3/12/2013		
File: G:\Documents\...Misc en forme LVDS S...		Sheet of
Drawn By:		



Title		
Liroc v3 Artix7 - Power Supply		
Size	Number	Revision
A3		1.1
Date:	5/12/2023	Sheet7 of10
File:	G:\Documents\PowerSupply\SchDoc	Drawn By: F.PEREZ



Title		
Size A4	Number	Revision
Date:	5/12/2023	Sheet of
File:	G:\Documents\..\Top Level.SchDoc	Drawn By:



Title		
Size	Lib: 20170717 - USB Control	Revision
A3		
Date:	5/12/2023	Sheet of 1.1
File:	G:\Documents\USB Control.SchDoc	Drawn By: 9 10
8 EPÉREZ		

