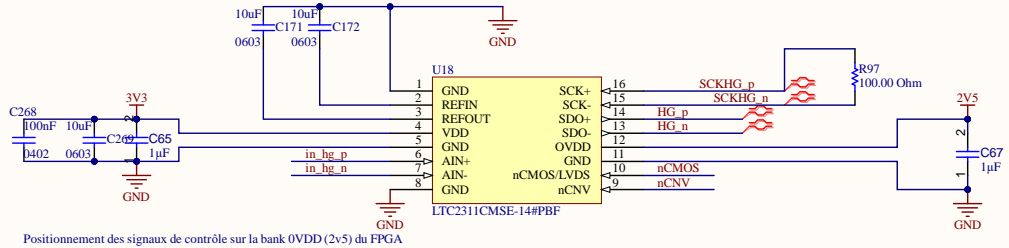
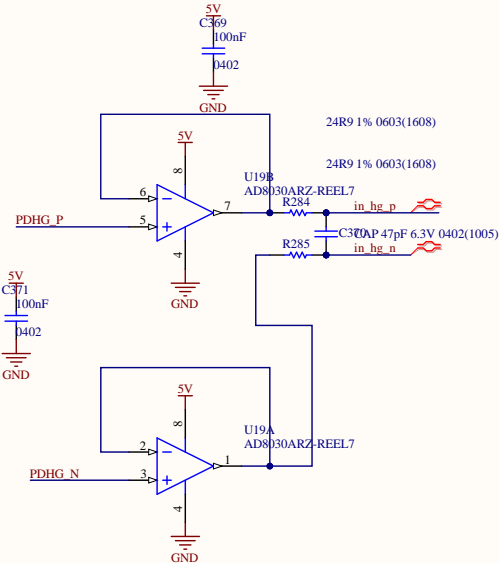
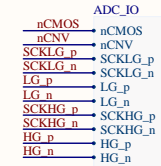
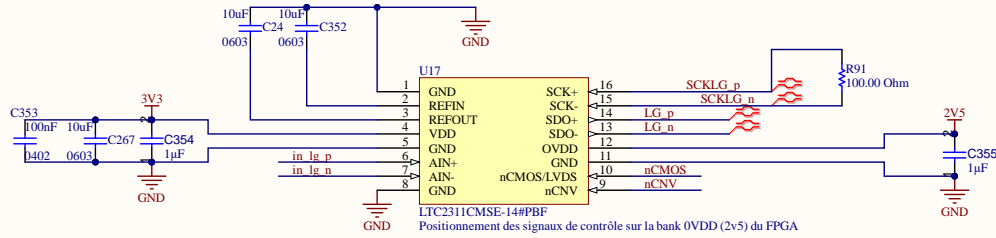
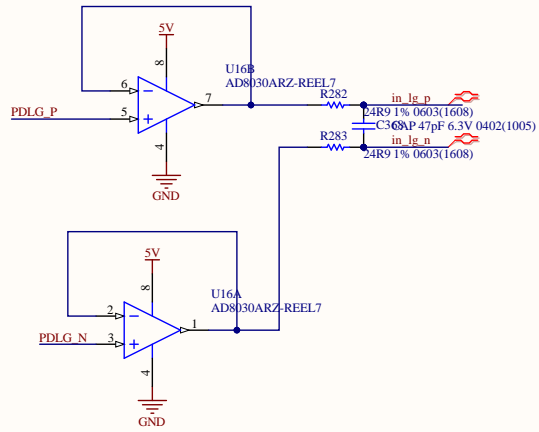
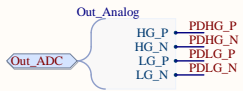
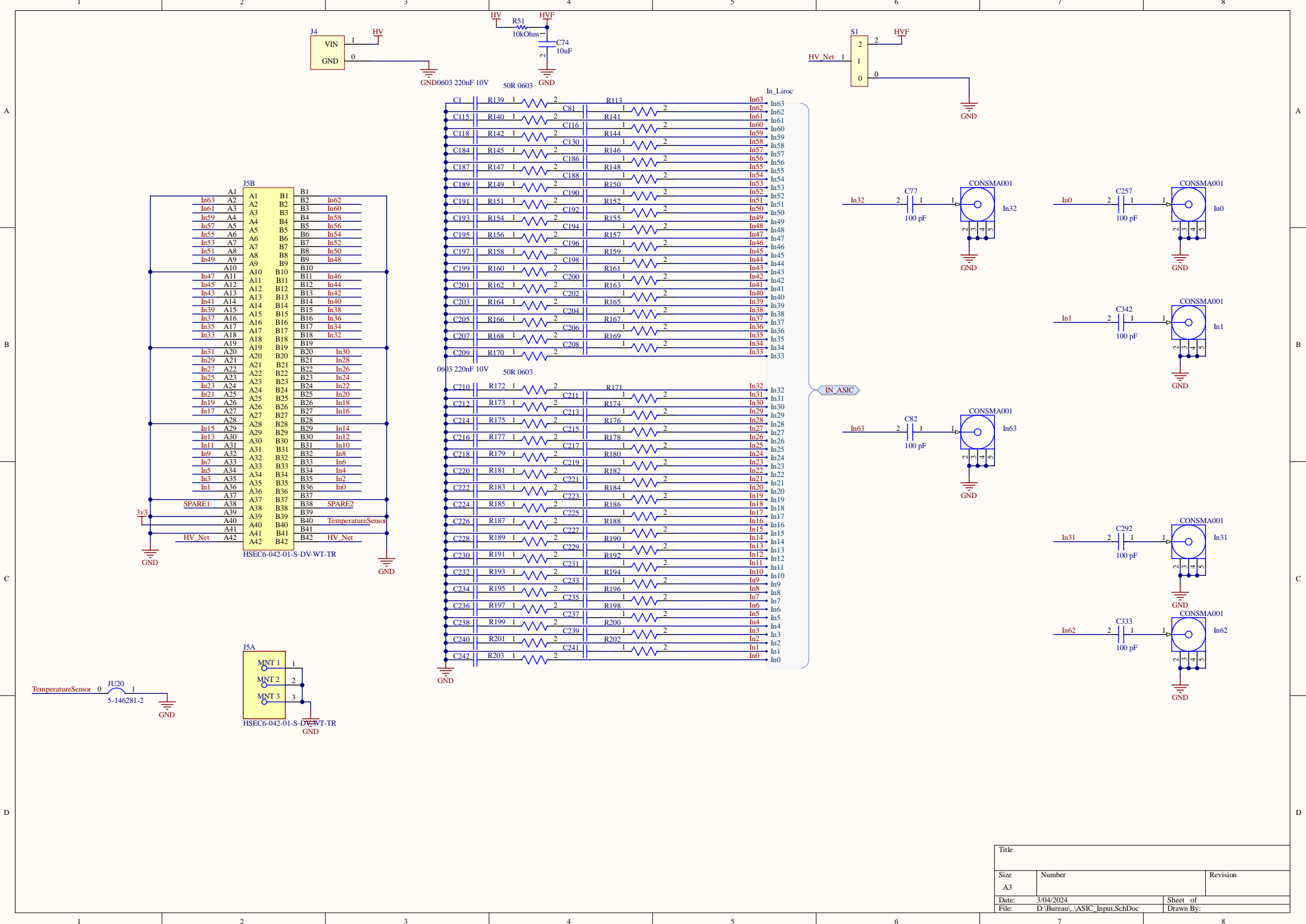


XC7A75T-1FG484C

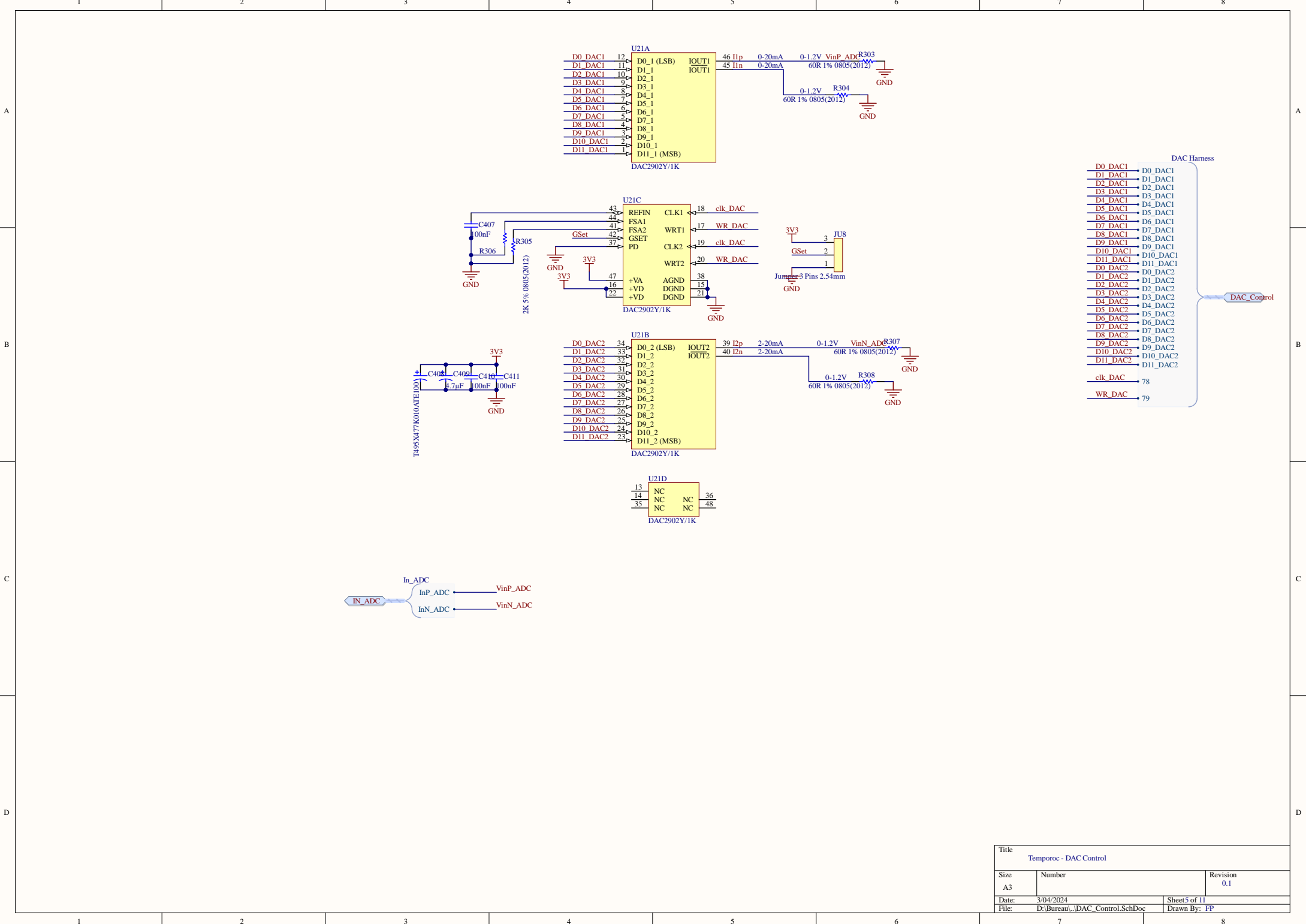
Title		
Size	Number	Revision
Date	3/15/2024	Sheet of
File	D:\Burman\1\FPGA Config SchDoc	Drawn By:



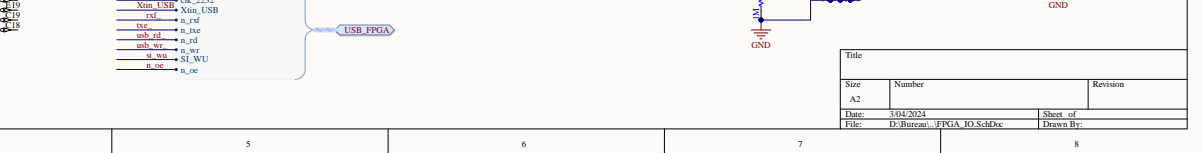
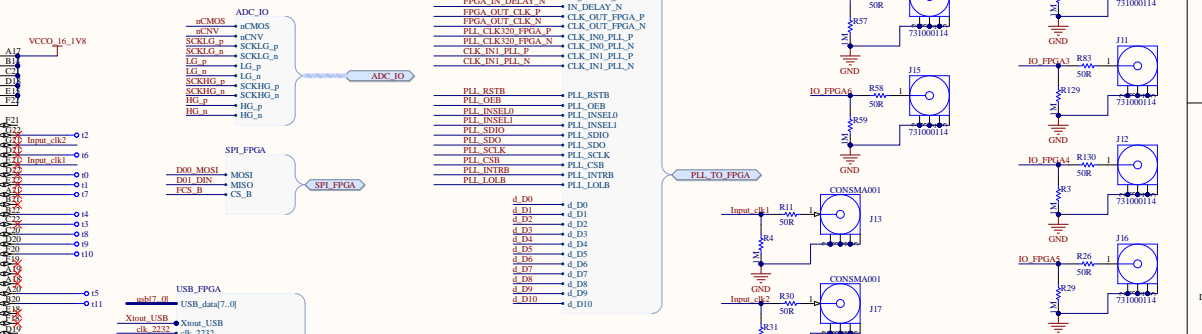
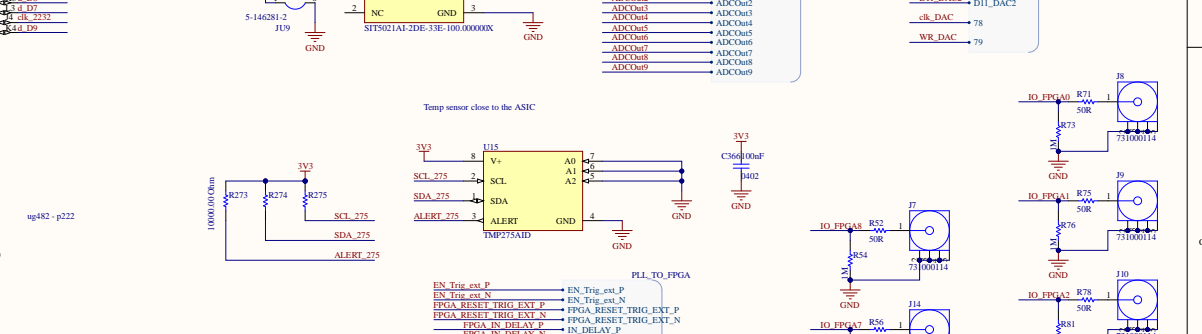
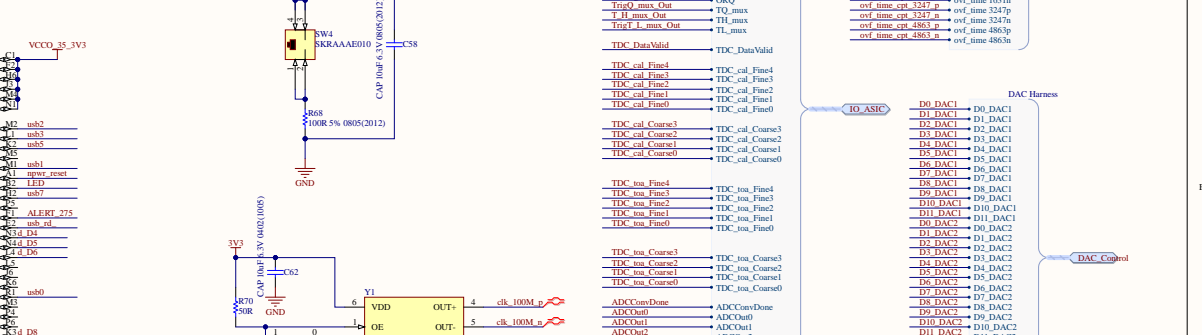
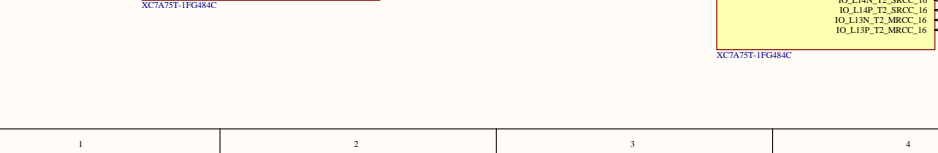
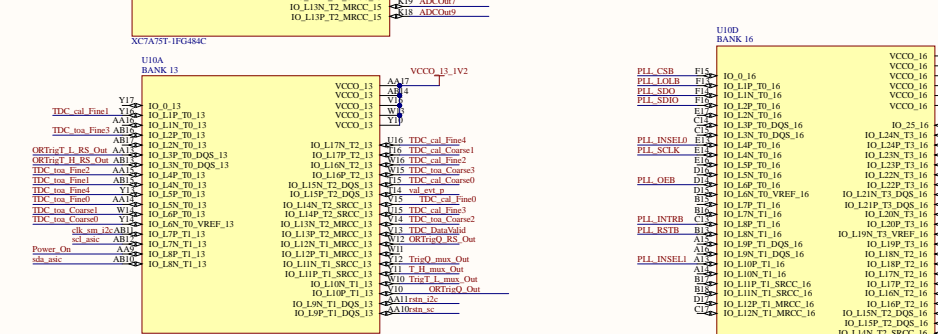
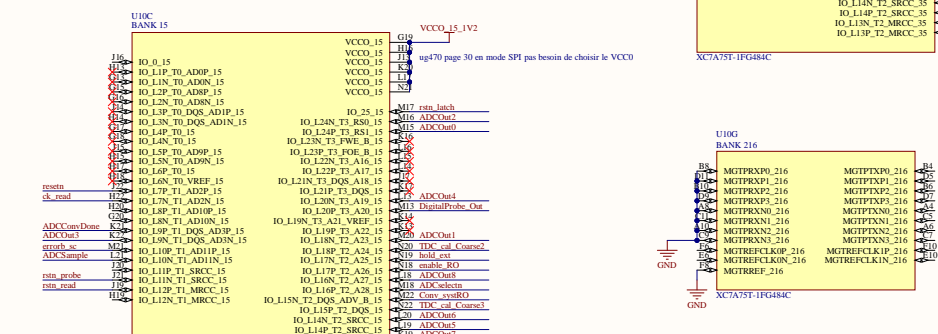
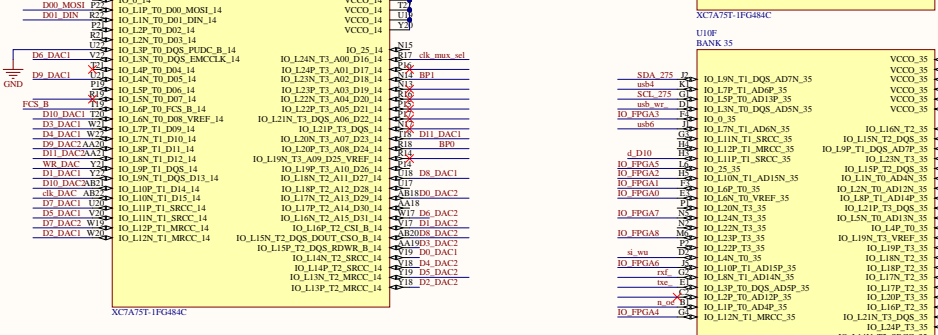
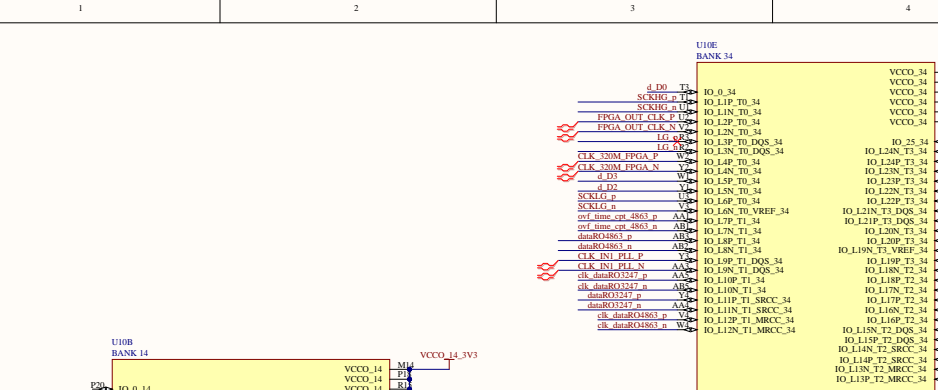
Title		
ADC de lecture de LG et HG		
Size	Number	Revision
A3		
Date:	3/04/2024	Sheet of
File:	D:\Bureau\...\Analog readout.SchDoc	Drawn By:



Title		
Size	Number	Revision
A3		
Date:	3/04/2024	Sheet of
File:	D:\Bureau\...\ASIC_Input.SchDoc	Drawn By:

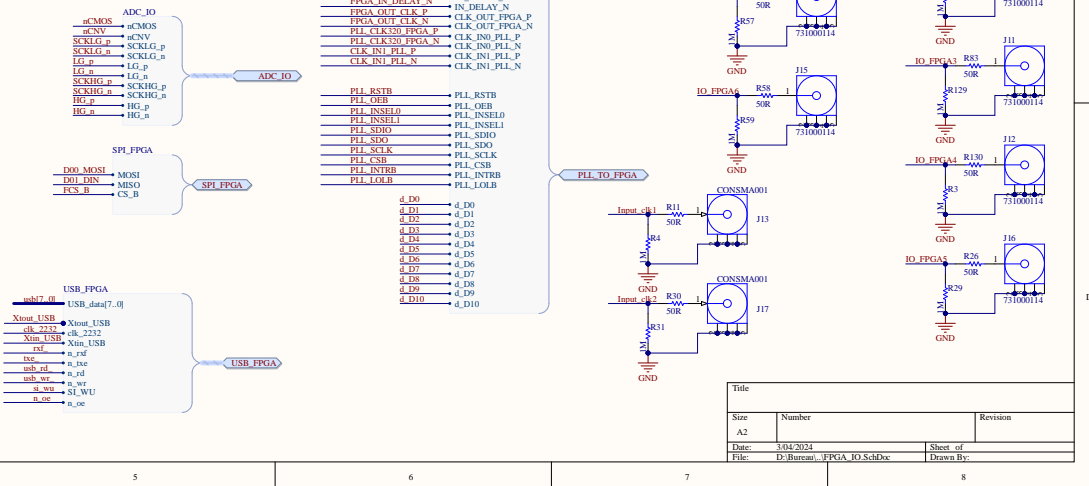
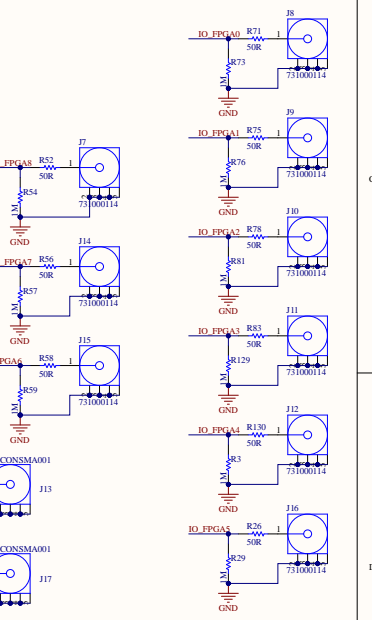


Title Temporoc - DAC Control		
Size A3	Number	Revision 0.1
Date: 3/04/2024	Sheet5 of 11	
File: D:\Bureau\...\DAC_Control.SchDoc	Drawn By: FP	

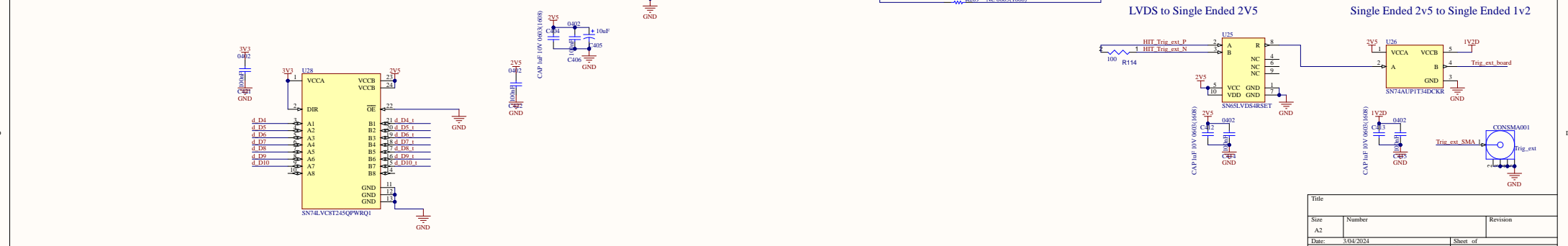
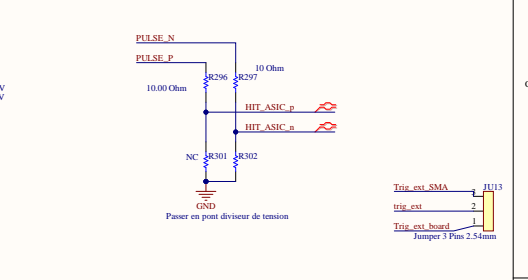
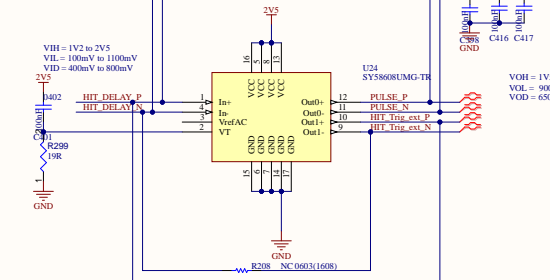
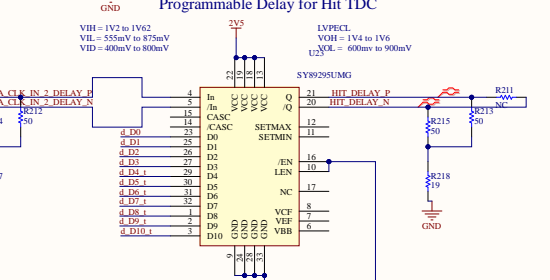
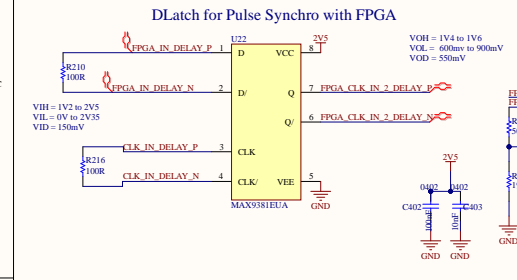
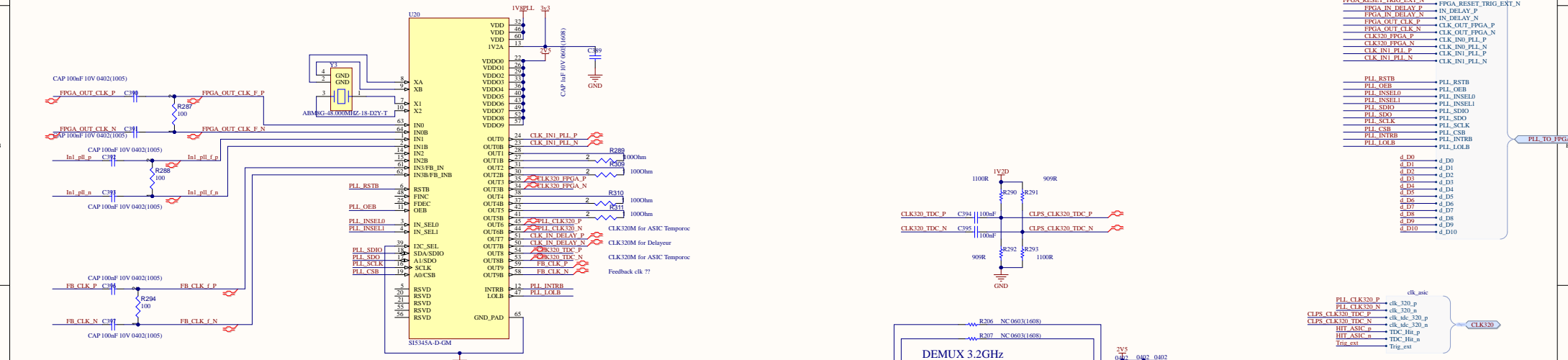
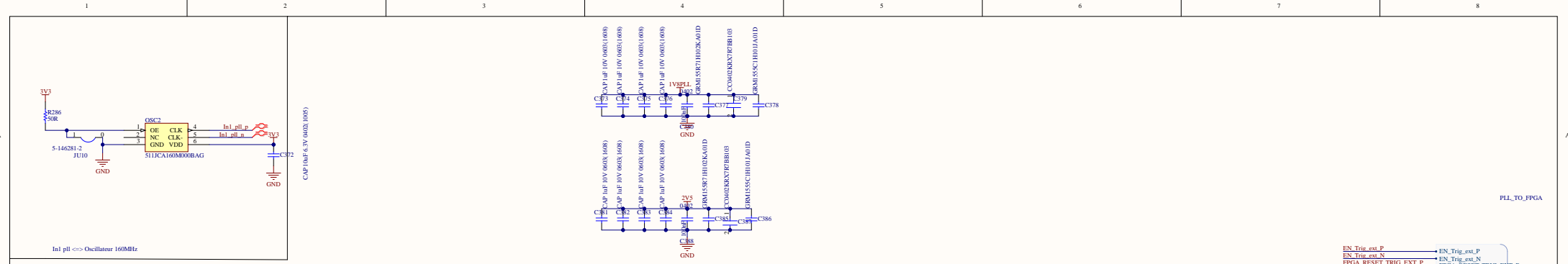


IO_ASIC LVDS table listing signals like clk_dataR04863_p, clk_dataR04863_n, and their corresponding pin numbers and values.

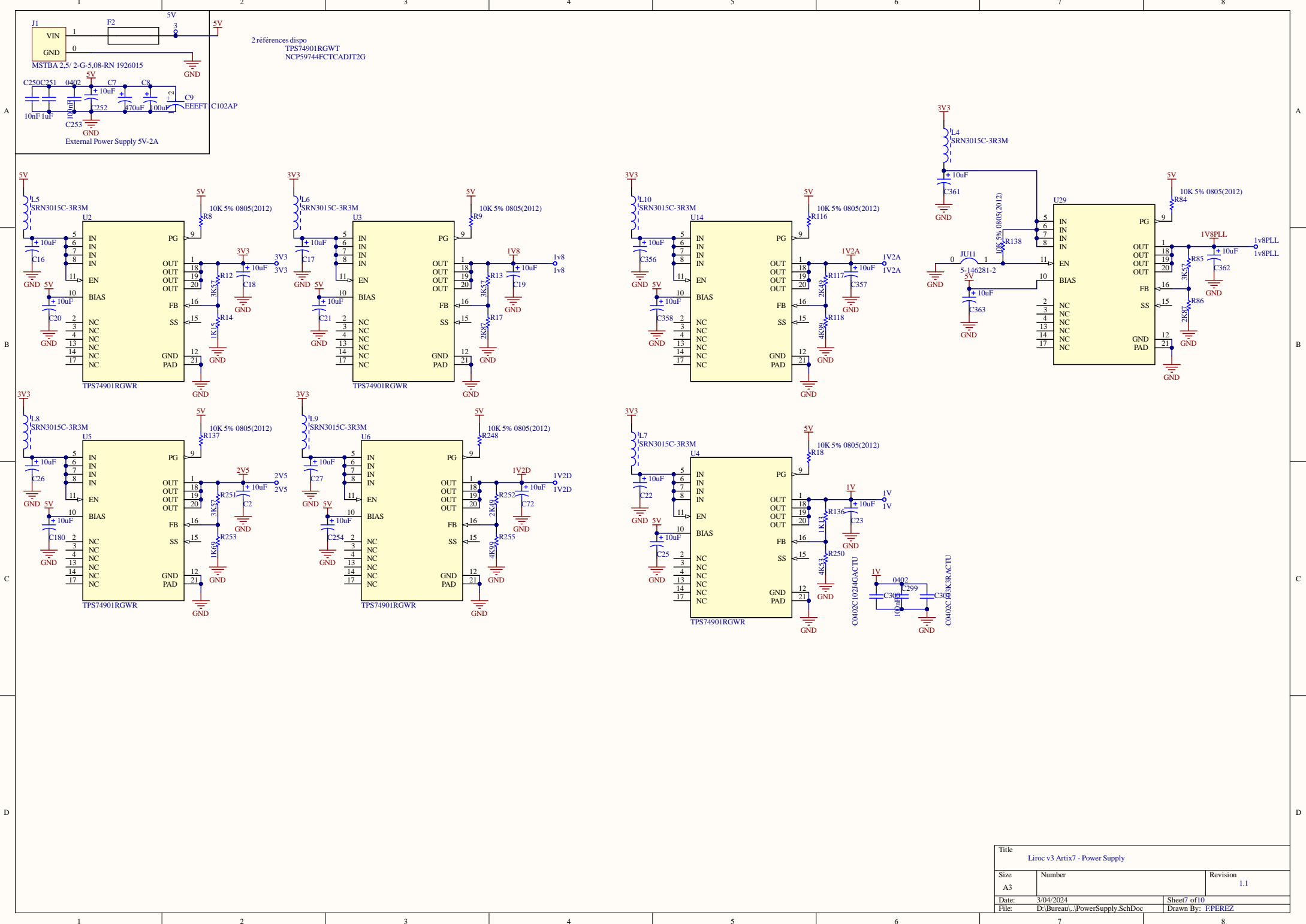
IO_ASIC table listing signals like D0_DAC1, D1_DAC1, D2_DAC1, and their corresponding pin numbers and values.



Revision table with columns for Title, Size, Number, Date, File, and Revision, listing details for the B-Duino_FPGA_IO_SchDoc.

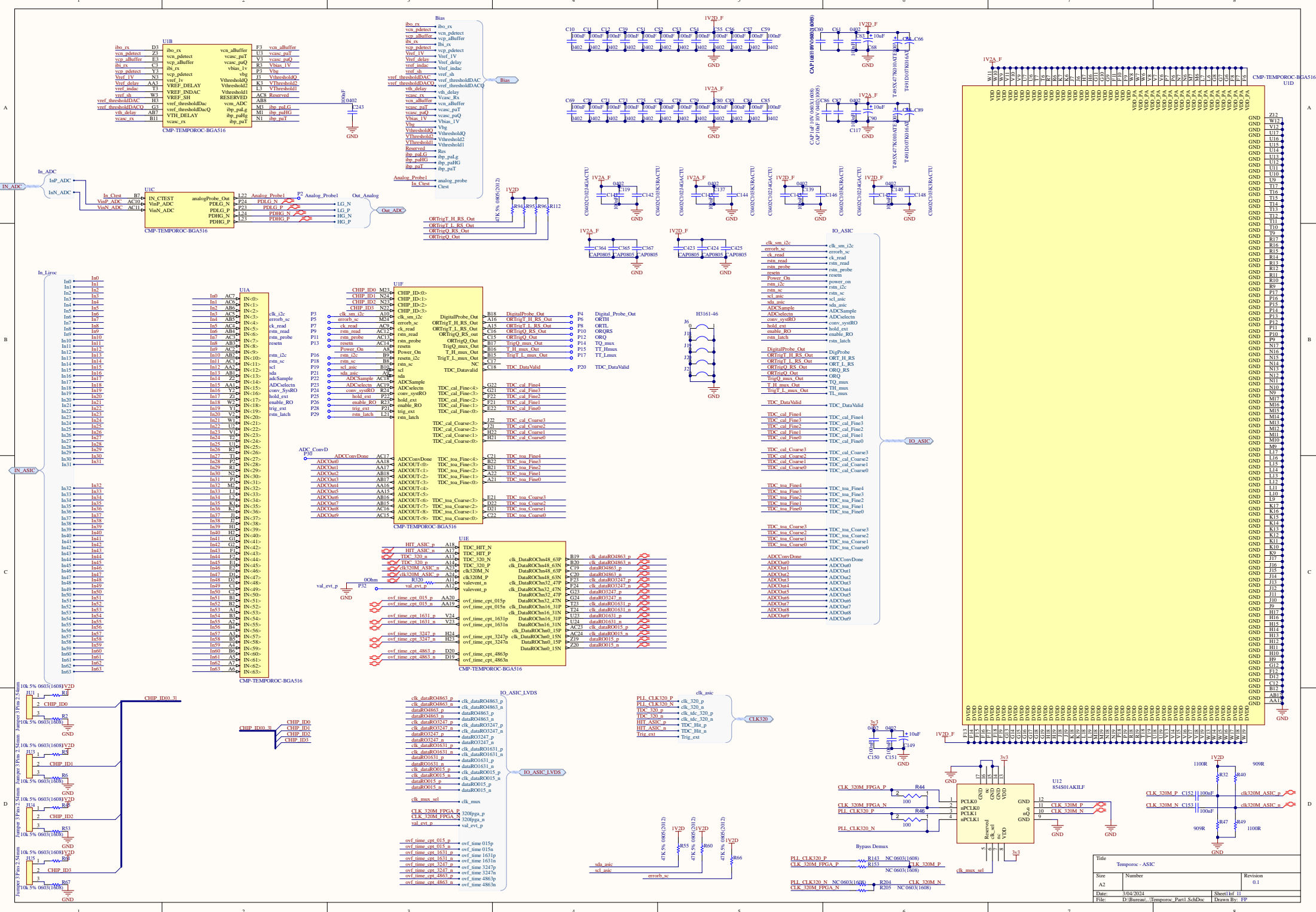


Title	Number	Revision
A2	303/2024	3/2024
File:	D:\Bureau_PLL_SchDoc	Sheet of Drawn By:

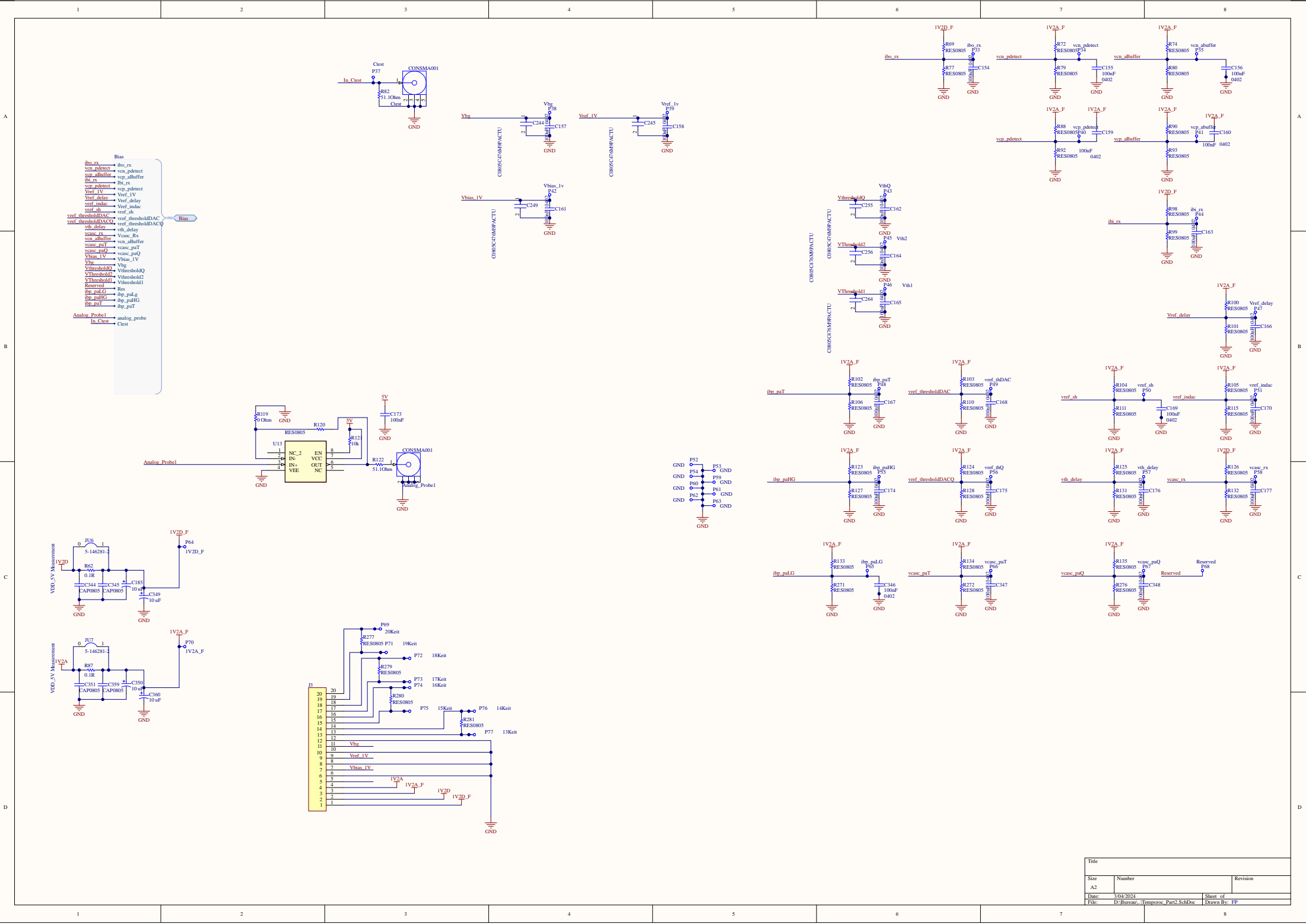


2 références dispo
 TPS74901RGWT
 NCP59744FCTCADJT2G

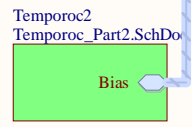
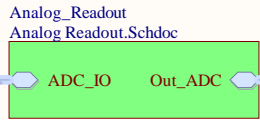
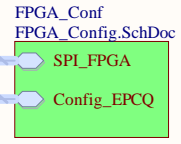
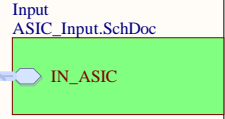
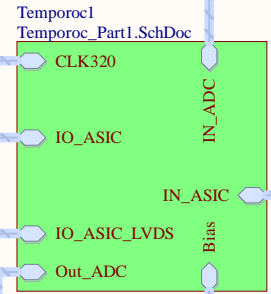
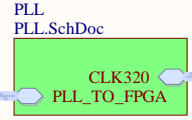
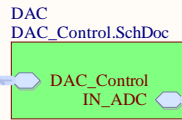
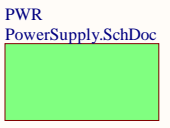
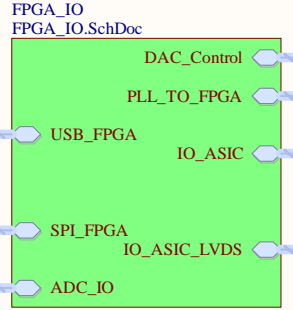
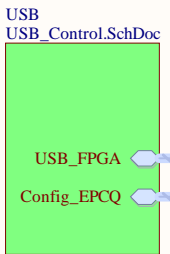
Title		
Liroc v3 Artix7 - Power Supply		
Size	Number	Revision
A3		1.1
Date:	3/04/2024	Sheet 7 of 10
File:	D:\Bureau\...\PowerSupply.SchDoc	Drawn By: F.PEREZ



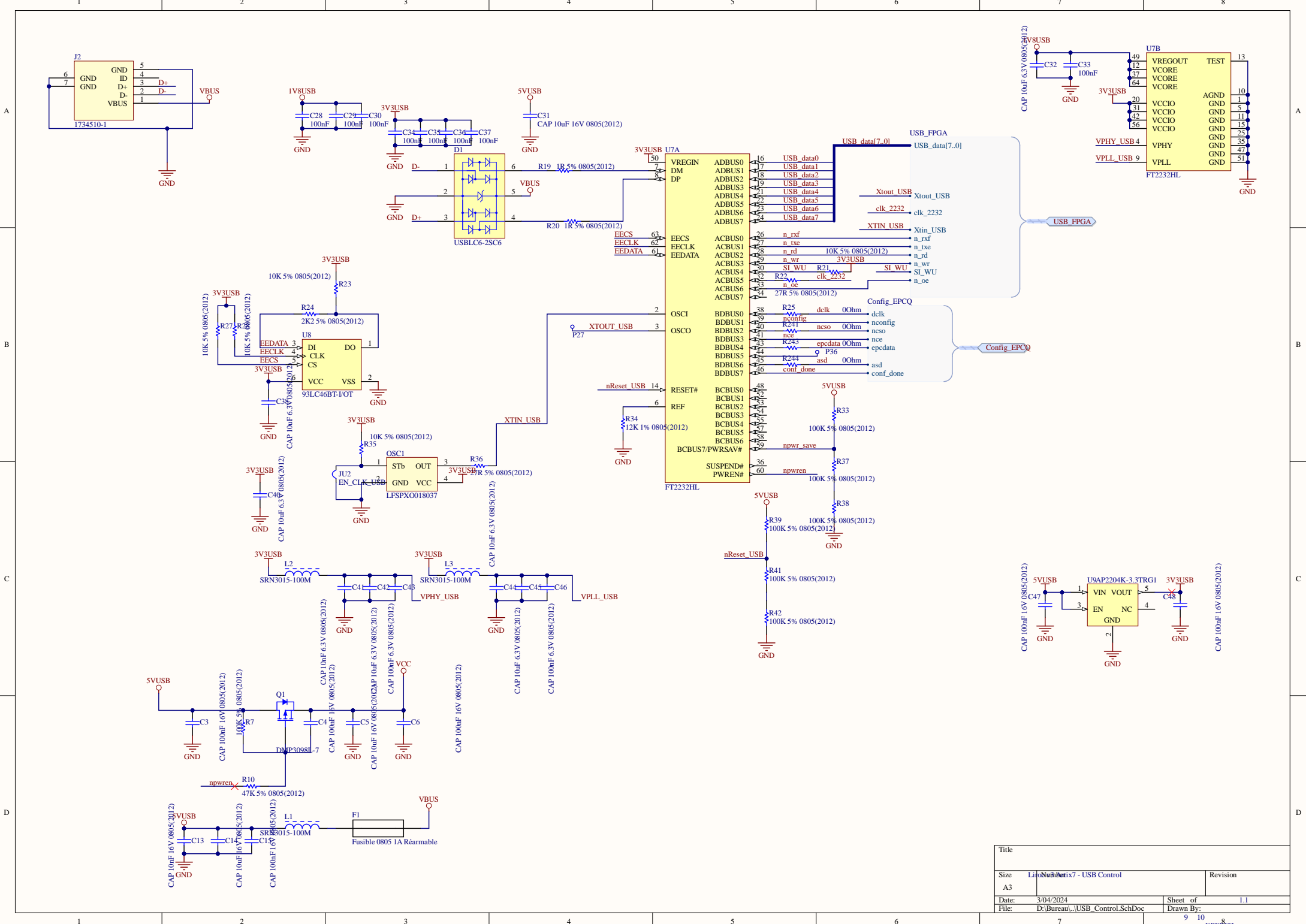
Title	Temporoc - ASIC	
Size	A2	Number
Date:	03/02/24	Sheet: 1 of 1
File:	D:\Bureau\Temporoc_Part1_SchDoc	Drawn By: FP
		Revision
		R1



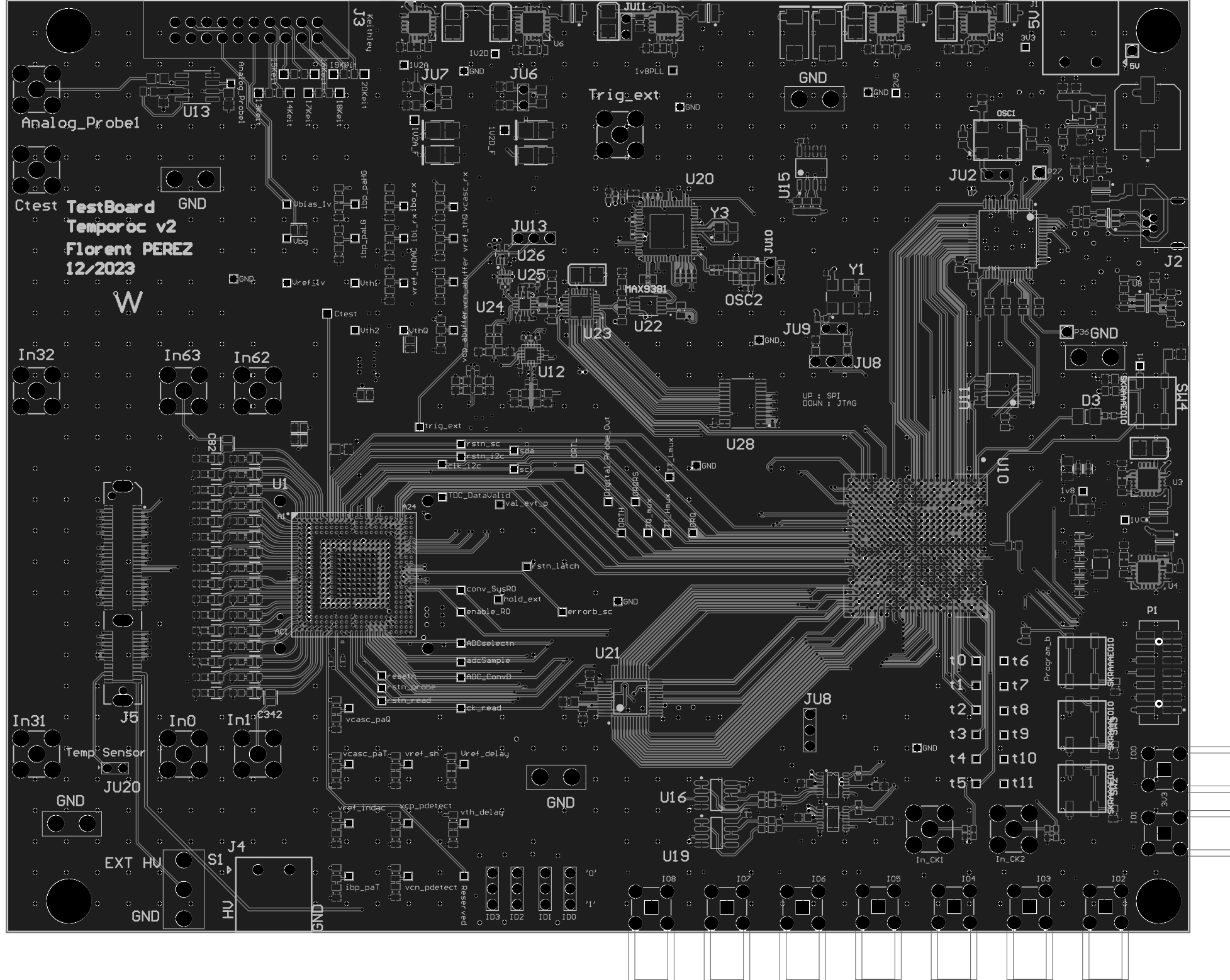
Title		
Size	Number	Revision
A2	303/2024	
Date:	303/2024	Sheet of
File:	D:\Burzum\Temporoc_Part2_SchDoc	Drawn By: FP



Title		
Size A4	Number	Revision
Date: 3/04/2024	Sheet of	
File: D:\Bureau\..\Top Level.SchDoc	Drawn By:	



Title		
Size	Lito: 7x7 - USB Control	Revision
A3		
Date:	3/04/2024	Sheet of 1.1
File:	D:\Bureau\USB_Control.SchDoc	Drawn By:



Analog_Probe1
Ctest TestBoard
Temporoc v2
Florent PEREZ
12/2023
W

Temp Sensor

EXT HV
S1
HV

